



LuwintSEAL

Mechanical Seals



Luwint Pty Ltd

Sources of mechanical seals

www.luwint.com.au

Who is LUWINT PTY LTD

LUWINT PTY LTD supplying mechanical seals all over Australia.

Luwint specializes in mechanical seals to suit pump brands such as Flygt®, Ebara®, Southern Cross®, Grundfos®, Grindex®, Tsurumi®, Mono ® ,etc.

Plenty of stock in Sydney warehouse and overseas warehouse
Overseas top factories support about design and manufacturing
Many years of Australian market experiences

We keep spare parts for you
We keep high quality for you
We keep competitive price for you

Luwint Pty Ltd products are aftermarket alternatives.

Luwint Pty Ltd is not associated with, endorsed by or sponsored any of the companies mentioned in this catalog.

Any use of company names, trademarks, model no, item no. or part no. is for reference purposes only.

Luwint Pty Ltd acknowledges all trademarks and copyrights.

Replacement Seal for Flygt®



Mechanical Seal
Replacement seals to suit Flygt® and Grindex® pumps

Luwint Pty Ltd
Sources of mechanical seals

www.luwint.com.au

Special Seal Catalog



Mechanical Seals
Special Seals

Luwint Pty Ltd
Sources of mechanical seals

www.luwint.com.au

Cartridge Seal Catalog



Mechanical Seals
Cartridge Seals

Luwint Pty Ltd
Sources of mechanical seals

www.luwint.com.au

Contact us to check the price and availability

www.luwint.com.au Email: office@luwint.com.au



Material Characteristics



LUWINTSEAL

MATERIAL	NBR	EPDM	VITON	AFLAS	KALREZ	CHEMRAZ	GRAPHITE	PTFE
Max Temp.	120°C	150°C	200°C	175°C	327°C	316°C	450°C	250°C
Min Temp.	-40°C	-50°C	-20°C	-30°C	-30°C	-30°C	-40°C	-100°C

MATERIAL	Recommended for Media
Nitrile (NBR)	Silicon Greases or Oils, Cold water, Petroleum oils or Fuels, Ethylene Glycol Fluids
Ethylene Propylene (EPDM)	Automotive Brake Fluids, Hot water, Steam, Dilute Acids, Dilute Alkalies, Ketones, Alcohols, Phosphate Esters base hydraulic fluids(Skydrol, Fyrquel, Pydraul)
Fluoroelastomer (Viton)	Petroleum oils, Diester based lubricants, silicate Ester, Silicon fluids, Greases, Hydrogenated hydrocabons, Acids, Phosphate Ester
Silicon Rubber	Dry heat application, Wide temperature range, Ozone, Non Toxic application
Perfluoroelastomer (Kalrez)	High Temperature Resistance, Excellent Chemical Resistance, Chlorine solutions, Petroleum oil
PTFE	Excellent Chemical Resistance, Fuel Resistance, Low Coefficient of Frictions, Wide temp. range
Graphite	High chemical Resistance, use in high and low temp, Wide temp. range

MATERIAL	Not Recommended for Media
Nitrile (NBR)	Ketones, Halogenated Hydrocarbon, Auto-aircraft Bracke Fluids, strong Acids, Ozone phosphate Esters base hydraulic fluids(Skydrol, Fyrquel, Pydraul)
Ethylene Propylene (EPDM)	Petroleum oils, Diester base lubricants
Fluoroelastomer (Viton)	Ketones, Alcohols, Amines, low Molecular weight Ester&Ethers, hot hydroflouric or Chlorosulfuric acids, hot water
Silicon Rubber	Ketones, Acids, Silicon Oils, Brake Fluids, Most Petroleum Fluids, Steam and Water
Perfluoroelastomer (Kalrez)	Molten Metals, Gaseous Alkali Metals, Halogenated Freons/Fluids, Uranium Hexafluoride
PTFE	For use in dynamic situation
Graphite	For use in dynamic or semi dynamic situation

Face Materials	Max Temp °C
Resin Impregnated Carbon	260°C
Antimony Impregnated Carbon	600°C
Resin Impregnated Carbon(FDA)	200°C
Dry Running Carbon	260°C
Nickel Bound Tungsten Carbide	350°C
Colbalt Bound Tungsten Carbide	350°C
Reaction Bonded Silicon Carbide	380°C
Sintered Silicon Carbide	380°C
99.5% Alumina Oxide	350°C
99% Alumina Oxide	350°C

**Welcome to contact our engineers
for selections of materials if uncertain**



Mechanical Seal Cross Reference

PAGE	LUWINT	JOHNCRANE	BURGMANN	AESSEAL	VULCAN	ROTEN	OTHERS
7	MT21	21	MG921	P04	24		
7	MT21D	521	MG912	P03	11		
8	MG01		MG1	B02	19		
8	MG02		MG12	B012	192		
8	MG03		MG13	B013	193		
9	MT1	1 (US)		P05U			
9	MT2	2 (US)		P04U			
10	M2100S	2100					
10	M2100K	2100L1K					
10	M2100N	2100L1N					
11	MT502	502		B07S	1724		
12	MT560D						Tsurumi, Ebara, EKK., Etc
13	M7N		M7N				
13	M7B		H7N				
14	M58U	58U					
14	M59U	59U					
14	M58B	58B					
14	M59B	59B					
15	MJ92N		HJ92N				
15	MT80	80					
16	M680	670/676/680					
16	M609	609					
17	M85N		MFL85N				
17	M515						
18	MT32		M32				
18	MT37		M37				
19	MR3			T04	13	3	
19	MU3			T04D	13DIN	UNITEN 3	
20	M74D		M74-D				
21	MR2			T03	12	2	
21	MU2			T03D	12DIN	UNITEN 2	
22	M6	106					
22	M6A	6A					
22	M6B	68C					
22	M560						
23	M301		BT-AR	B01	18		
24	R00						Flexibox R00
25	R10						Flexibox R10
26	R20						Flexibox R20
27	Stationary						G4,G6,G9,G60,BO,OG...
28-39							Flygt replacement Seal
40-47							Special Seal
48-56							Cartridge Seal

Contact us to check the price and availability

www.luwint.com.au Email: office@luwint.com.au

LUWINT Cross Reference for Flygt® Model

Flygt® Model	Shaft size (mm)	LUWINT CODE Upper Seal	LUWINT CODE Lower Seal
Ready Models 4 8 12 16	15	15-F4U-TTV	-
2004, 2008, 2012, 2016	15	15-F4U-TTV	-
2050, 2052	15	15-F4U-TTV	-
Ready 24	20	20-F1U-TTV	20-F1L-TTV
2066	20	20-F1U-TTV	20-F1L-TTV
2075	20	20-F1U-TTV	20-F1L-TTV
2101	20	20-F1U-TTV	20-F1L-TTV
3065	20	20-F1U-TTV	20-F1L-TTV
3080	20	20-F1U-TTV	20-F1L-TTV
2024	20	20-F7U-TTV	20-F1L-TTV
3085-91, 3085-120, 3085-170, 3085-171, 3085-181, 3085-280, 3082-290, 3085-890	20	20-F7U-TTV	20-F7L-TTV
Steady 7	20	20-F7U-TTV	20-F7L-TTV
2060	20	20-F7U-TTV	20-F7L-TTV
3041-281	20	20-F7U-TTV	20-F7L-TTV
3057-180, 3060	20	20-F7U-TTV	20-F7L-TTV
3067-170, 3067-250, 3068	20	20-F7U-TTV	20-F7L-TTV
4351, 4352, 4400	20	20-F7U-TTV	20-F8L-TTV
3057	20	20-F7U-TTV	20-F8L-TTV
2070	22	22-F5U-TTV	22-F5L-TTV
2071	22	22-F5U-TTV	22-F5L-TTV
2102-40	22	22-F5U-TTV	22-F5L-TTV
3082	22	22-F5U-TTV	22-F5L-TTV
3102	25	25-F10U-TTV	25-F10L-TTV
Grindex Maior, Master, Matador, Midi, Minette, Salvador	25/24	25-F26U-TTV	24-F26L-SSV
3101	28	28-F2U-TTV	28-F2L-TTV
Ready 90	28	28-F9U-TTV	28-F9L-TTV
2082, 2090, 2125, 2140	28	28-F9U-TTV	28-F9L-TTV
3126-90, 3126-180	35	35-F11U-TTV	35-F11L-TTV
2084, 2135	35	35-F11U-TTV	35-F11L-TTV
2151-10	35	35-F11U-TTV	35-F11L-TTV
2151-11, 2151-50	35	35-F11U-TTV	35-F12L-TTV
3126-91, 3126-280, 3126-290	35	35-F11U-TTV	35-F13L-TTV
3126-181, 3127	35	35-F13U-TTV	35-F13L-TTV
4440, 5530	35	35-F13U-TTV	35-F13L-TTV
2201-11HT or MT	45	45-F14U-TTV	45-F14L-TTV
Grindex Maxi	45	45-F15U-TTV	45-F14L-TTV
2201-11LT	45	45-F15U-TTV	45-F14L-TTV
3140, 3152	45	45-F15U-TTV	45-F15L-TTV
4650, 4660,	45	45-F15U-TTV	45-F15L-TTV
2201-590, 2201-690	45	45-F15U-TTV	45-F15L-TTV
2201-10, 2201-320, 2201-430, 2201-480	45/35	45-F15U-TTV	35-F11L-TTV
4410, 4430	60	60-F17U-TTV	60-F17L-TTV
3200	60	60-F16U-TTV	60-F16L-TTV
2250, 2290	60	60-F16U-TTV	60-F16L-TTV

Flygt® Model	Shaft size (mm)	LUWINT CODE Upper Seal	LUWINT CODE Lower Seal
3170, 3201	60	60-F17U-TTV	60-F17L-TTV
4670, 4680, 7045	60	60-F17U-TTV	60-F17L-TTV
600	60	60-F17U-TTV	60-F17L-TTV
2400	60	60-F18U-TTV	60-F18L-TTV
3230, 3300-91, 3300-181, 3300-280, 3300-980, 3305	90	90-F19U-TTV	80-F19L-TTV
3355, 3356, 3357	90	90-F19U-TTV	80-F19L-TTV
7050, 7051, 7055, 7060, 7061, 7076, 7556	90	90-F19U-TTV	80-F19L-TTV
3310, 3311, 3312, 3350, 3351	90/120	90-F19U-TTV	120-F20L-TTV
3500, 3501, 3530, 3531, 3600, 3601, 3602	90/120	90-F19U-TTV	120-F20L-TTV
7570, 7585	90/120	90-F19U-TTV	120-F20L-TTV
605, 615, 665, 670, 680	90/80	90-F19U-TTV	80-F19L-TTV
7080, 7115	90/80 90/120	90-F19U-TTV	80-F19L-TTV 120-F20L-TTV
705, 715, 720, 721, 735, 745, 760, 765, 770, 775	90/80 90/120	90-F19U-TTV	80-F19L-TTV 120-F20L-TTV
820, 840, 841, 860, 880, 881, 900	90/80 90/120	90-F19U-TTV	80-F19L-TTV 120-F20L-TTV
2610, 2620, 2630, 2640, 4610, 4620	20mm	LT20	Plug-in Seal Plastic Frame
2660, 4630, 4640	25mm	LT25	Plug-in Seal Plastic Frame
2670, 3153, 5100.211, 5100.220, 2100.211	35mm	LT35	Plug-in Seal Plastic Frame
3171, 4650, 4660, 5100.250, 5100.251, 5100.260, 5100.261	45mm	LT45	Plug-in Seal Plastic Frame
3202, 4670, 4680, 5100.300, 5100.310, 5151.300, 5150.310	60mm	LT60	Plug-in Seal Plastic Frame
3301, 5150.350, 550.360	90mm	LT90	Plug-in Seal Plastic Frame
Griploc Seal*	20mm	20-F7U-TTV-N	20-F7L-TTV-N
Griploc Seal*	22mm	22-F5U-TTV-N	22-F5L-TTV-N
Griploc Seal*	25mm	25-F10U-TTV-N	25-F10L-TTV-N
Griploc Seal*	28mm	28-F2U-TTV-N	28-F2L-TTV-N
Griploc Seal*	35mm	35-F13U-TTV-N	35-F13L-TTV-N
2610, 2620, 2630, 2640, 4610, 4620	20mm	LT20-N	Plug-in Seal Aluminium Frame
2660, 4630, 4640	25mm	LT25-N	Plug-in Seal Aluminium Frame
2670, 3153, 5100.211, 5100.220, 2100.211	35mm	LT35-N	Plug-in Seal Aluminium Frame

Luwint Pty Ltd products are aftermarket alternatives.

Luwint Pty Ltd is not associated with, endorsed by or sponsored any of the companies mentioned in this catalog.

Any use of company names, trademarks, model no, item no. or part no. is for reference purposes only.

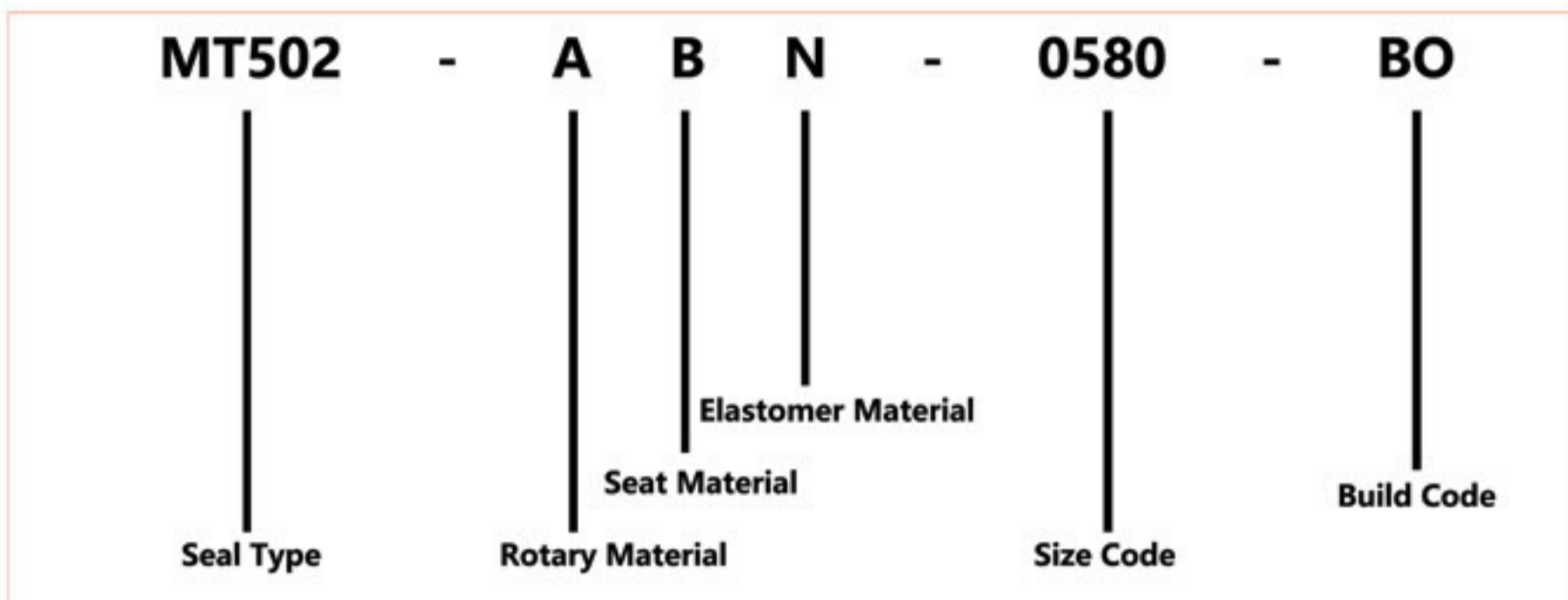
Luwint Pty Ltd acknowledges all trademarks and copyrights.



Contact us to check the price and availability

www.luwint.com.au Email: office@luwint.com.au

Luwint Mechanical Seal Coding System



Material Code (Rotary&Seat)	Material Code (Elastomer)	Size Code	Build Code
A - Resin impregnated Carbon	N - Nitrile (BUNA)	0580 - 58mm	BO - BO seat
B - 99.5% Alumina Ceramic	V - Viton(FKM)	0650 - 65mm	R - RH spring
S - RB Silicon Carbide	E - EPDM(EPR)	0381 - 1.500"	S - Special
T - Tungsten Carbide	C - PTFE wrapped Viton	0508 - 2.000"	.
E - Stainless Steel	F - PTFE		.
C - Antimony Carbon	P - Neoprene		etc.,
Q - Sintered SIC	S - Aflas		
Z - Bronze	K - Kalrez		
M - Antimony Carbon	M - Silicone		
.	.		

EXAMPLE

Seal Code: **MT502ABN0580-BO**

Description: **MT502 Type seal; Carbon rotary face
Ceramic stationary, NBR elastomer
with BO style stationary**

Note: If part number of Speical seal or customized Seal, check it with our service team

Contact us to check the price and availability

www.luwint.com.au Email: office@luwint.com.au



Customized Parts of Mechanical Seal



Stainless Steel parts

- Sleeve and Gland plate
- Shaft
- Impeller
- Pump case
- Collar
- Others



Mechanical Spring

- Parallel spring
- Conical spring
- Wave spring
- Small spring
- Others



Mechanical seal ring

- Reaction Bonded Silicone carbide
- Sintered Silicone carbide
- Resin and Antimony Carbon
- Tungsten Carbide
- Ceramic



Elastomer parts and O-ring

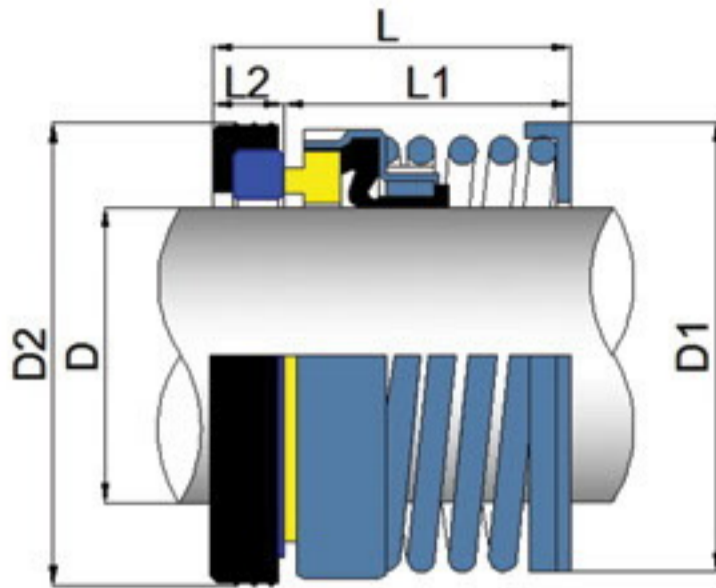
- Nitrile
- Viton
- EPDM
- Aflas
- PTFE and others



Contact us to check the price and availability

www.luwint.com.au Email: office@luwint.com.au

MT21 Range



Operating Conditions:

Pressure: Up to 10 bar

Speed: Up to 13m/s

Temperature: -30°C to +200°C

Material available:

Seal faces: Carbon, Ceramic, Sic, SSic, TC

Elastomer: Nitrile, EPDM, Viton

D (IN)	D2	D1	L1	L2	L
0.375	22.2	21.5	22.2	6.3	28.5
0.500	25.4	23.0	22.2	8.0	30.2
0.625	31.8	26.5	22.2	10.3	32.5
0.750	35.0	30.5	22.2	10.3	32.5
0.875	38.1	34.5	24.0	10.3	34.3
1.000	41.3	40.0	25.4	11.0	36.4
1.125	44.5	44.5	27.0	11.0	38.0
1.250	47.7	47.0	27.0	11.0	38.0
1.375	50.8	51.5	28.5	11.0	39.5
1.500	54.0	55.0	28.5	11.0	39.5
1.625	60.3	58.0	35.0	12.7	47.7
1.750	63.5	61.5	35.0	12.7	47.7
1.875	66.7	65.5	38.0	12.7	50.7
2.000	69.9	70.0	38.0	12.7	50.7
2.125	76.2	75.0	43.0	14.3	57.3
2.250	79.4	79.0	43.0	14.3	57.3
2.375	82.6	82.0	46.0	14.3	60.3
2.500	85.7	86.0	46.0	14.3	60.3
2.625	85.7	91.5	49.0	16.0	65.0
2.750	88.9	93.0	49.0	16.0	65.0
2.875	95.3	99.0	52.5	16.0	68.5
3.000	98.4	99.0	52.5	16.0	68.5



MT21D Range

D (mm)	D2	D1	L1	L2	L
16	27.0	26.5	25.7	10.3	36.0
18	33.0	30.5	27.2	10.3	37.5
20	35.0	34.5	27.2	10.3	37.5
22	37.0	40.0	27.2	11.0	38.2
24	39.0	40.0	29.0	11.0	40.0
25	40.0	40.2	29.0	11.0	40.0
28	43.0	47.0	31.5	11.0	42.5
30	45.0	47.0	31.5	11.0	42.5
32	48.0	50.5	31.5	11.0	42.5
33	48.0	51.5	31.5	11.0	42.5
35	50.0	55.0	31.5	11.0	42.5
38	56.0	58.0	34.0	11.0	45.0
40	58.0	61.5	32.3	12.7	45.0
43	61.0	61.5	32.3	12.7	45.0
45	63.0	61.5	32.3	12.7	45.0
48	66.0	65.5	32.3	12.7	45.0
50	70.0	70.0	34.8	12.7	47.5
53	73.0	74.0	33.3	14.3	47.6
55	75.0	76.0	33.3	14.3	47.6
58	78.0	79.0	38.3	14.3	52.6
60	80.0	82.0	38.3	14.3	52.6
63	83.0	86.0	38.3	14.3	52.6
65	85.0	87.0	36.0	16.0	52.0
68	90.0	91.5	36.0	16.0	52.0
70	92.0	93.0	44.0	16.0	60.0
73	93.0	99.0	44.0	16.0	60.0
75	97.0	99.0	44.0	16.0	60.0

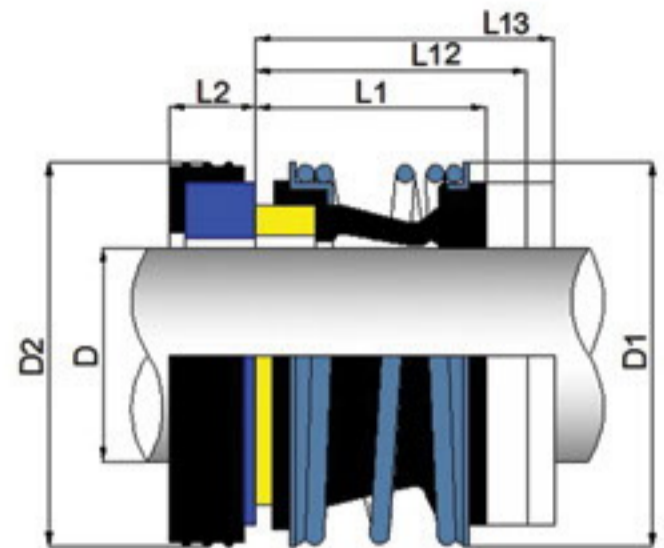
Contact us to check the price and availability

www.luwint.com.au Email: office@luwint.com.au





D(mm)	D1	D2	L1	L12	L13	L2
10	24.0	21.0	15.0	25.9	33.4	6.6
12	24.0	23.0	15.0	25.9	33.4	6.6
14	28.5	25.0	17.0	28.4	33.4	6.6
16	28.5	27.0	17.0	28.4	33.4	6.6
18	32.0	33.0	19.5	30.0	37.5	7.5
20	37.0	35.0	21.5	30.0	37.5	7.5
22	37.0	37.0	21.5	30.0	37.5	7.5
24	42.5	39.0	22.5	32.5	42.5	7.5
25	42.5	40.0	23.0	32.5	42.5	7.5
28	49.0	43.0	26.5	35.0	42.5	7.5
30	49.0	45.0	26.5	35.0	47.5	7.5
32	53.5	48.0	27.5	35.0	47.5	7.5
33	53.5	48.0	27.5	35.0	47.5	7.5
35	57.0	50.0	28.5	35.0	47.5	7.5
38	59.0	56.0	30.0	36.0	46.0	9.0
40	62.0	58.0	30.0	36.0	46.0	9.0
43	65.5	61.0	30.0	36.0	51.0	9.0
45	68.0	63.0	30.0	36.0	51.0	9.0
48	70.5	66.0	30.5	36.0	51.0	9.0
50	74.0	70.0	30.5	38.0	50.5	9.5
53	78.5	73.0	33.0	36.5	59.0	11.0
55	81.0	75.0	35.0	36.5	59.0	11.0
58	85.5	78.0	37.0	41.5	59.0	11.0
60	88.5	80.0	38.0	41.5	59.0	11.0
65	93.5	85.0	40.0	41.5	69.0	11.0
68	96.5	90.0	40.0	41.2	68.7	11.3
70	99.5	92.0	40.0	48.7	68.7	11.3
75	107.0	97.0	40.0	48.7	68.7	11.3
80	112.0	105.0	40.0	48.0	78.0	12.0
85	120.0	110.0	41.0	46.0	76.0	14.0
90	126.5	115.0	45.0	51.0	76.0	14.0
95	131.5	120.0	46.0	51.0	76.0	14.0
100	136.5	125.0	47.0	51.0	76.0	14.0



MG01 (L1); MG02(L12); MG03 (L13)

Operating Conditions:

Pressure: Up to 12 bar

Speed: Up to 10m/s

Temperature: -30°C to +200°C

Material available:

Seal faces: Carbon, Ceramic, Sic, SSic, TC

Elastomer: Nitrile, EPDM, Viton

Or G6 O-ring seat

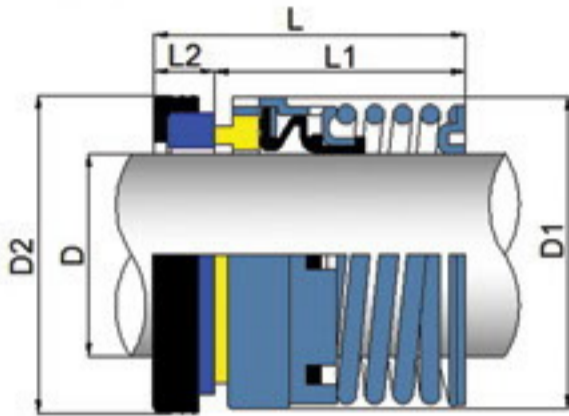


MG03-28/38/48/55/60+G6

Used in Grundfos Pump



MT1 Range



Operating Conditions:

Pressure: Up to 14 bar

Speed: Up to 16m/s

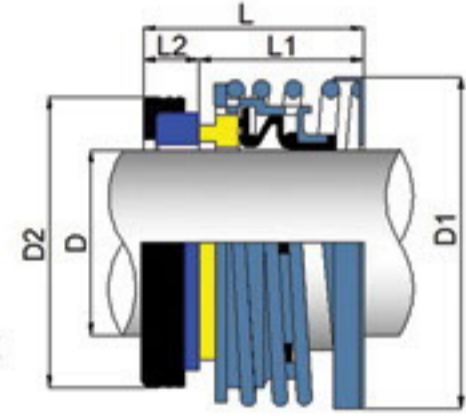
Temperature: -30°C to +200°C

Material available:

Seal faces: Carbon, Ceramic, Sic, SSic, TC

Elastomer: Nitrile, EPDM, Viton

MT2 Range



D(IN)	D1	D2	L1	L2	L
0.500	23.8	25.4	30.2	7.9	38.1
0.625	27.8	31.8	33.3	10.3	43.6
0.750	30.9	34.9	33.3	10.3	43.6
0.875	35.7	38.1	34.9	10.3	45.2
1.000	38.1	41.3	39.7	11.1	50.8
1.125	41.3	44.5	41.3	11.1	52.4
1.250	46.0	47.6	41.3	11.1	52.4
1.375	47.6	50.8	43.1	11.1	54.2
1.500	50.8	54.0	42.8	11.1	53.9
1.625	57.2	60.3	50.8	12.7	63.5
1.750	60.3	63.5	50.8	12.7	63.5
1.875	63.5	66.7	54.0	12.7	66.7
2.000	66.7	69.9	54.0	12.7	66.7
2.125	71.4	76.2	60.3	14.3	74.6
2.250	74.6	79.4	60.3	14.3	74.6
2.375	77.8	82.6	63.5	14.3	77.8
2.500	80.9	85.7	63.5	14.3	77.8
2.625	85.7	85.7	69.9	15.9	85.7
2.750	88.9	88.9	69.9	15.9	85.7
2.875	92.1	95.3	73.0	15.9	88.9
3.000	95.3	98.4	73.0	15.9	88.9
3.125	101.6	101.6	79.4	19.8	99.2
3.250	104.8	104.8	79.4	19.8	99.2
3.375	108.0	108.0	79.4	19.8	99.2
3.500	111.1	111.1	79.4	19.8	99.2
3.625	114.3	114.3	82.6	19.8	102.4
3.750	117.5	117.5	82.6	19.8	102.4
3.875	120.7	120.7	85.7	19.8	105.6
4.000	123.8	123.8	85.7	19.8	105.6

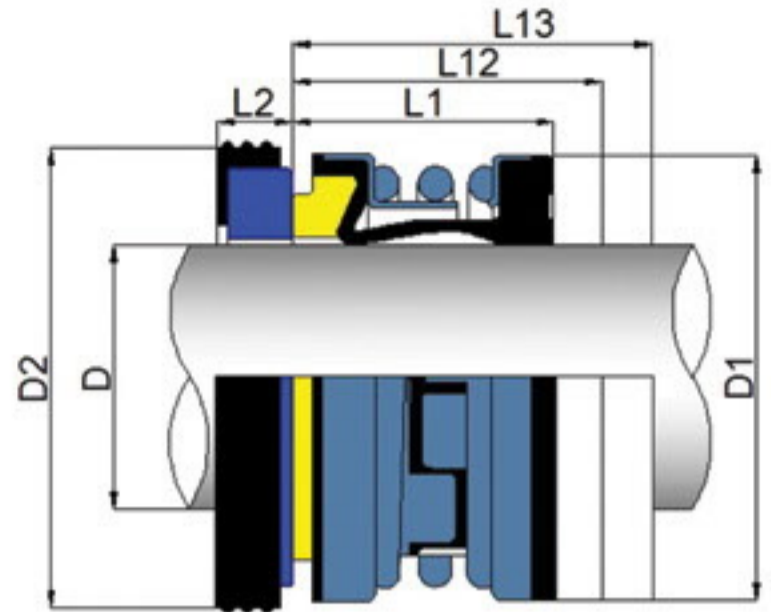
D(IN)	D1	D2	L1	L2	L
0.500	30.1	25.4	20.6	7.9	28.6
0.625	33.3	31.8	22.2	10.3	32.5
0.750	36.5	34.9	22.2	10.3	32.5
0.875	39.7	38.1	23.8	10.3	34.3
1.000	45.5	41.3	25.4	11.1	36.4
1.125	48.5	44.5	27.0	11.1	38.0
1.250	52.4	47.6	27.0	11.1	38.0
1.375	56.0	50.8	31.8	11.1	39.5
1.500	59.2	54.0	31.8	11.1	39.5
1.625	67.0	60.3	34.9	12.7	47.7
1.750	69.9	63.5	34.9	12.7	47.7
1.875	73.0	66.7	38.1	12.7	50.7
2.000	76.2	69.9	38.1	12.7	50.7
2.125	82.6	76.2	42.9	14.3	57.3
2.250	85.7	79.4	42.9	14.3	57.3
2.375	88.9	82.6	46.0	14.3	60.3
2.500	92.1	85.7	46.0	14.3	60.3
2.625	98.4	85.7	49.2	15.9	65.0
2.750	101.6	88.9	49.2	15.9	65.0
2.875	104.8	95.3	52.4	15.9	68.5
3.000	108.0	98.4	52.4	15.9	68.5
3.125	118.3	101.6	55.6	19.8	75.4
3.250	121.5	104.8	55.6	19.8	75.4
3.375	124.7	108.0	55.6	19.8	75.4
3.500	127.9	111.1	55.6	19.8	75.4
3.625	131.3	114.3	58.7	19.8	78.5
3.750	134.5	117.5	58.7	19.8	78.5
3.875	138.6	120.7	61.9	19.8	81.7
4.000	141.8	123.8	61.9	19.8	81.7

Contact us to check the price and availability

www.luwint.com.au Email: office@luwint.com.au



M2100S/K/N



D (mm)	D1	D2	L1	L12	L13	L2
10	20.0	22.0	15.0	27.5	35.0	5.0
12	22.0	23.0	15.0	26.5	34.0	6.0
14	24.0	25.0	15.0	29.0	34.0	6.0
16	26.0	27.0	15.0	29.0	34.0	6.0
18	32.0	33.0	20.0	31.5	39.0	6.0
20	34.0	35.0	20.0	31.5	39.0	6.0
22	36.0	37.0	20.0	31.5	39.0	6.0
24	38.0	39.0	20.0	34.0	44.0	6.0
25	39.0	40.0	20.0	34.0	44.0	6.0
28	42.0	43.0	26.0	36.5	44.0	6.0
30	44.0	45.0	26.0	35.5	43.0	7.0
32	46.0	48.0	26.0	35.5	48.0	7.0
33	47.0	48.0	26.0	35.5	48.0	7.0
35	49.0	50.0	26.0	34.5	47.0	8.0
38	54.0	56.0	30.0	37.0	47.0	8.0
40	56.0	58.0	30.0	37.0	47.0	8.0
43	59.0	61.0	30.0	37.0	52.0	8.0
45	61.0	63.0	30.0	37.0	52.0	8.0
48	64.0	66.0	30.0	35.0	50.0	10.0
50	66.0	70.0	30.0	37.5	50.0	10.0
53	69.0	73.0	30.0	37.5	60.0	10.0
55	71.0	75.0	30.0	37.5	60.0	10.0
58	78.0	78.0	33.0	42.5	60.0	10.0
60	80.0	80.0	33.0	40.5	58.0	12.0
63	83.0	83.0	33.0	40.5	58.0	12.0
65	85.0	85.0	33.0	40.5	68.0	12.0
68	88.0	90.0	33.0	40.5	68.0	12.0
70	90.0	92.0	33.0	48.0	68.0	12.0
75	99.0	97.0	40.0	48.0	68.0	12.0
80	104.0	105.0	40.0	47.5	77.5	12.5
85	109.0	110.0	40.2	47.7	77.7	14.0
90	114.0	115.0	40.2	52.7	77.7	14.0
95	119.0	120.0	40.2	52.7	77.7	14.0
100	124.0	125.0	40.2	52.7	77.7	14.0

M2100S(L1); M2100K(L12); M2100N(L13)

Operating Conditions:

Pressure: Up to 12 bar

Speed: Up to 12m/s

Temperature: -30°C to +200°C

Material available:

Seal faces: Carbon, Ceramic, Sic, SSic, TC

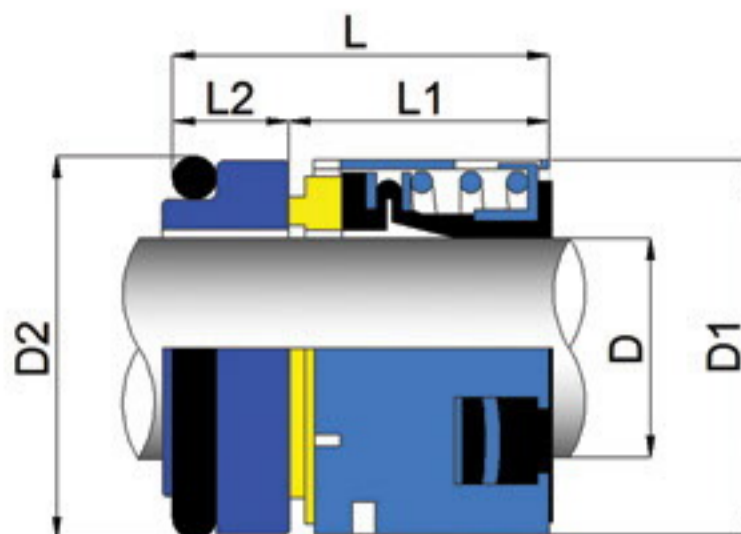
Elastomer: Nitrile, EPDM, Viton



Contact us to check the price and availability

www.luwint.com.au Email: office@luwint.com.au

MT502 Range



Operating Conditions:

Pressure: Up to 25 bar

Speed: Up to 13m/s

Temperature: -30°C to +200°C

Material available:

Seal faces: Carbon, Ceramic, Sic, SSic, TC

Elastomer: Nitrile, EPDM, Viton

D(mm)	D1	D2	L1	L2	L
14	24	25.0	23.0	12.0	35.0
16	26	27.0	23.0	12.0	35.0
18	32	33.0	24.0	13.5	37.5
20	34	35.0	24.0	13.5	37.5
22	36	37.0	24.0	13.5	37.5
24	38	39.0	26.7	13.3	40.0
25	39	40.0	27.0	13.0	40.0
28	42	43.0	30.0	12.5	42.5
30	44	45.0	30.5	12.0	42.5
32	46	48.0	30.5	12.0	42.5
33	47	48.0	30.5	12.0	42.5
35	49	50.0	30.5	12.0	42.5
38	54	56.0	32.0	13.0	45.0
40	56	58.0	32.0	13.0	45.0
43	59	61.0	32.0	13.0	45.0
45	61	63.0	32.0	13.0	45.0
48	64	66.0	32.0	13.0	45.0
50	66	70.0	34.0	13.5	47.5
53	69	73.0	34.0	13.5	47.5
55	71	75.0	34.0	13.5	47.5
58	78	78.0	39.0	13.5	52.5
60	80	80.0	39.0	13.5	52.5
63	83	83.0	39.0	13.5	52.5
65	85	85.0	39.0	13.5	52.5
68	88	90.0	39.0	13.5	52.5
70	89	92.0	45.5	14.5	60.0
75	96	97.0	45.5	14.5	60.0
80	104	105.0	45.0	15.0	60.0
85	108	110.0	45.0	15.0	60.0
90	114	115.0	50.0	15.0	65.0
95	118	120.0	50.0	15.0	65.0
100	124	125.0	50.0	15.0	65.0



Contact us to check the price and availability

www.luwint.com.au Email: office@luwint.com.au

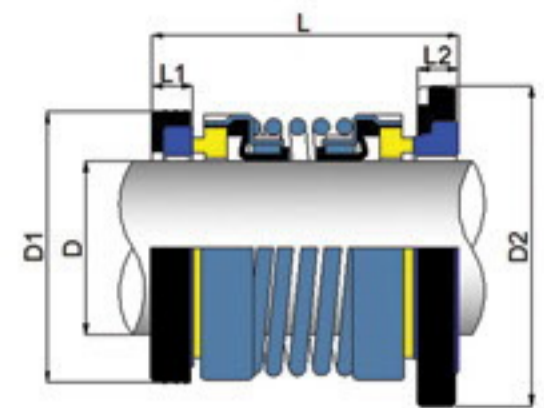


LuwintSeal

Can be used in submersible pumps such as
Tsurumi, Ebara, EKK, Sakuragawa, etc

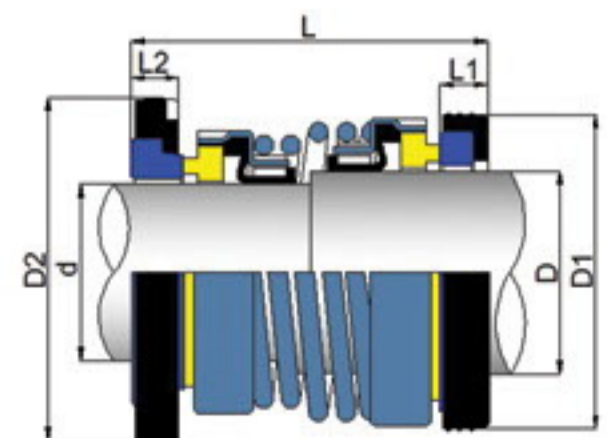
MT560D

Parallel Spring Double seal						
Shaft mm	Inboard (Impeller)			Outboard (Lubricant)		
	Shaft	Seat type	Bore size	Shaft	Seat type	Bore size
12	12	Cup	25	12	CUP	25
14	14	Cup	30	14	CUP	30
14	14	VULCANIZED	30	14	CUP	30
15	15	Cup	28	15	CUP	28
15	15	Cup	30	15	CUP	30
15	15	VULCANIZED	30	15	CUP	30
16	16	Cup	30	16	CUP	30
18	18	VULCANIZED	38	18	CUP	35
20	20	VULCANIZED	44	20	CUP	38
20	20	VULCANIZED	38	20	CUP	38
25	25	VULCANIZED	44	25	CUP	44
25	25	VULCANIZED	50	25	cup	44
30	30	VULCANIZED	57	30	CUP	44
30	30	VULCANIZED	57	30	CUP	50
35	35	VULCANIZED	64	35	CUP	58
35	35	VULCANIZED	57	35	CUP	54
35	35	VULCANIZED	58	35	CUP	58
40	40	VULCANIZED	70	40	CUP	64
40	40	VULCANIZED	70	40	CUP	68
45	45	VULCANIZED	70	45	CUP	66
45	45	VULCANIZED	70	45	CUP	68
50	50	VULCANIZED	80	50	VULCANIZED	75
50	50	VULCANIZED	80	50	CUP	72
55	55	VULCANIZED	75	55	VULCANIZED	75
60	60	O-RING	95	60	O-RING	80
70	70	O-RING	105	70	O-RING	95



MT560DC

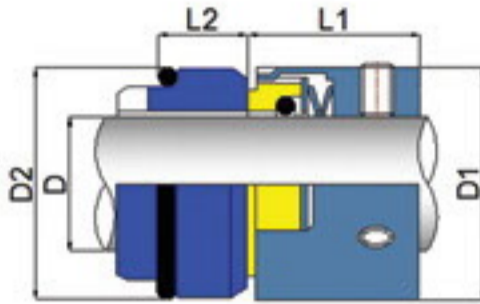
Conical Spring Double seal						
Shaft mm	Inboard (Impeller)			Outboard (Lubricant)		
	Shaft	Seat type	Bore size	Shaft	Seat type	Bore size
25-30	25	VULCANIZED	50x9.5	30	VULCANIZED	50x8
25-30	25	VULCANIZED	50x8	30	CUP	44x8.7
30-35	30	VULCANIZED	50x9	35	CUP	47x5.8
30-35	30	VULCANIZED	50	35	CUP	45
30-35	30	VULCANIZED	57x10	35	VULCANIZED	58x9.6
35-40	35	VULCANIZED	64	40	VULCANIZED	64
40-45	40	VULCANIZED	60x8.5	45	CUP	57x5.8
45-50	45	VULCANIZED	70x11.5	50	VULCANIZED	72x11.5
45-50	45	VULCANIZED	67x10	50	CUP	62x5.4



Contact us to check the price and availability

www.luwint.com.au Email: office@luwint.com.au

M7N Range



D(mm)	D1	D2	L1	L2
22	37.0	37.0	26.0	11.5
24	39.0	39.0	28.5	11.5
25	40.0	40.0	28.5	11.5
28	43.0	43.0	31.0	11.5
30	45.0	45.0	31.0	11.5
32	47.0	48.0	31.0	11.5
33	48.0	48.0	31.0	11.5
35	50.0	50.0	31.0	11.5
38	55.0	56.0	31.0	14.0
40	57.0	58.0	31.0	14.0
43	60.0	61.0	31.0	14.0
45	62.0	63.0	31.0	14.0
48	65.0	66.0	31.0	14.0
50	67.0	70.0	32.5	15.0
53	70.0	73.0	32.5	15.0
55	72.0	75.0	32.5	15.0
58	79.0	78.0	37.5	15.0
60	81.0	80.0	37.5	15.0
63	84.0	83.0	37.5	15.0
65	86.0	85.0	37.5	15.0
68	89.0	90.0	34.5	18.0
70	91.0	92.0	42.0	18.0
75	99.0	97.0	42.0	18.0
80	104.0	105.0	41.8	18.2
85	109.0	110.0	41.8	18.2
90	114.0	115.0	46.8	18.2
95	119.0	120.0	47.8	17.2
100	124.0	125.0	47.8	17.2

M7N Range

Operating Conditions:

Pressure: Up to 17 bar

Speed: Up to 20m/s

Temperature: -30°C to +200°C

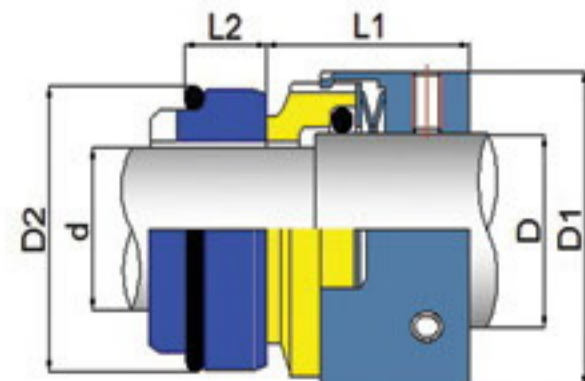
Material available:

Seal faces: Carbon, Ceramic, Sic, SSic, TC

Elastomer: Nitrile, EPDM, Viton

M7B Range

d/D(mm)	D1	D2	L1	L2
18/22	37.0	33.0	33.5	11.5
20/24	39.0	35.0	33.5	11.5
22/26	40.0	37.0	33.5	11.5
24/28	43.0	39.0	36.0	11.5
25/30	45.0	40.0	36.0	11.5
28/33	47.0	43.0	38.5	11.5
30/35	48.0	45.0	38.5	11.5
32/38	50.0	48.0	38.5	11.5
33/38	55.0	48.0	38.5	11.5
35/40	57.0	50.0	38.5	11.5
38/43	60.0	56.0	38.5	14.0
40/45	62.0	58.0	38.5	14.0
43/48	65.0	61.0	38.5	14.0
45/50	67.0	63.0	38.5	14.0
48/53	70.0	66.0	38.5	14.0
50/55	72.0	70.0	42.5	15.0
53/58	79.0	73.0	42.5	15.0
55/60	81.0	75.0	42.5	15.0
58/63	84.0	78.0	47.5	15.0
60/65	86.0	80.0	47.5	15.0
63/68	89.0	83.0	47.5	15.0
65/70	91.0	85.0	47.5	15.0
70/75	99.0	90.0	52.0	18.0
75/80	104.0	92.0	52.0	18.0
80/85	109.0	97.0	51.8	18.2
85/90	114.0	105.0	56.8	18.2
90/95	119.0	110.0	56.8	18.2
95/100	124.0	115.0	57.8	17.2



M7B Range

Operating Conditions:

Pressure: Up to 40 bar

Speed: Up to 20m/s

Temperature: -30°C to +200°C

Material available:

Seal faces: Carbon, Ceramic, Sic, SSic, TC

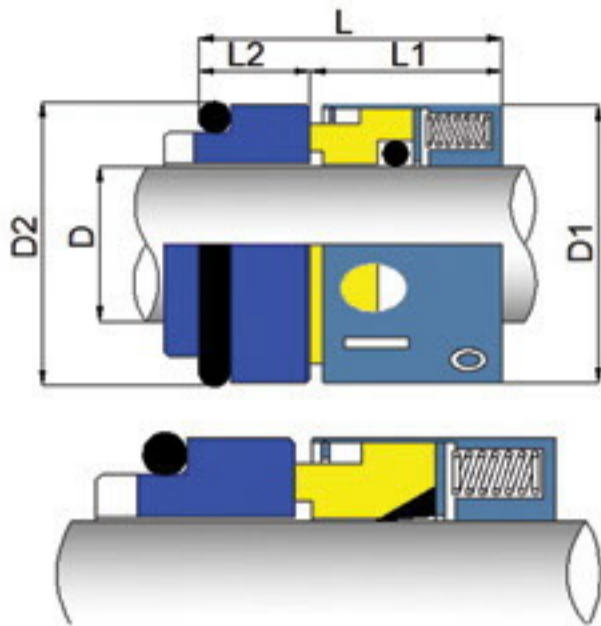
Elastomer: Nitrile, EPDM, Viton

Contact us to check the price and availability

www.luwint.com.au Email: office@luwint.com.au



M58U M59U



M58U M59U

Operating Conditions:

Pressure: Up to 17 bar

Speed: Up to 25m/s

Temperature: -30°C to +200°C

Material available:

Seal faces: Carbon, Ceramic, Sic, SSic, TC

Elastomer: Nitrile, EPDM, Viton, PTFE

D(mm)	D1	D2	L1	L2	L
22	36.0	37.0	24.0	13.5	37.5
24	38.0	39.0	26.7	13.3	40.0
25	39.0	40.0	27.0	13.0	40.0
28	42.0	43.0	30.0	12.5	42.5
30	44.0	45.0	30.5	12.0	42.5
32	46.0	48.0	30.5	12.0	42.5
33	47.0	48.0	30.5	12.0	42.5
35	49.0	50.0	30.5	12.0	42.5
38	54.0	56.0	32.0	13.0	45.0
40	56.0	58.0	32.0	13.0	45.0
43	59.0	61.0	32.0	13.0	45.0
45	61.0	63.0	32.0	13.0	45.0
48	64.0	66.0	32.0	13.0	45.0
50	66.0	70.0	34.0	13.5	47.5
53	69.0	73.0	34.0	13.5	47.5
55	71.0	75.0	34.0	13.5	47.5
58	78.0	78.0	39.0	13.5	52.5
60	80.0	80.0	39.0	13.5	52.5
63	83.0	83.0	39.0	13.5	52.5
65	85.0	85.0	39.0	13.5	52.5
68	88.0	90.0	39.0	13.5	52.5
70	90.0	92.0	45.5	14.5	60.0
75	95.0	97.0	45.5	14.5	60.0
80	104.0	105.0	45.0	15.0	60.0
85	109.0	110.0	45.0	15.0	60.0
90	114.0	115.0	50.0	15.0	65.0
95	119.0	120.0	50.0	15.0	65.0
100	124.0	125.0	50.0	15.0	65.0

M58B M59B

d/D(mm)	D1	D2	L1	L2	L
18/22	36.0	33.0	31.5	13.5	45.0
20/24	38.0	35.0	31.5	13.5	45.0
22/26	40.0	37.0	31.5	13.5	45.0
24/28	42.0	39.0	34.2	13.3	47.5
25/30	44.0	40.0	34.5	13.0	47.5
28/33	47.0	43.0	37.5	12.5	50.0
30/35	49.0	45.0	38.0	12.0	50.0
32/38	54.0	48.0	38.0	12.0	50.0
33/38	54.0	48.0	38.0	12.0	50.0
35/40	56.0	50.0	38.0	12.0	50.0
38/43	59.0	56.0	39.5	13.0	52.5
40/45	61.0	58.0	39.5	13.0	52.5
43/48	64.0	61.0	39.5	13.0	52.5
45/50	66.0	63.0	39.5	13.0	52.5
48/53	69.0	66.0	39.5	13.0	52.5
50/55	71.0	70.0	44.0	13.5	57.5
53/58	78.0	73.0	44.0	13.5	57.5
55/60	80.0	75.0	44.0	13.5	57.5
58/63	83.0	78.0	49.0	13.5	62.5
60/65	85.0	80.0	49.0	13.5	62.5
63/68	88.0	83.0	49.0	13.5	62.5
65/70	90.0	85.0	49.0	13.5	62.5
70/75	95.0	90.0	55.5	14.5	70.0
75/80	104.0	92.0	55.5	14.5	70.0
80/85	109.0	97.0	55.0	15.0	70.0
85/90	114.0	105.0	60.0	15.0	75.0
90/95	119.0	110.0	60.0	15.0	75.0
95/100	124.0	115.0	60.0	15.0	75.0

M58B M59B

Operating Conditions:

Pressure: Up to 62 bar

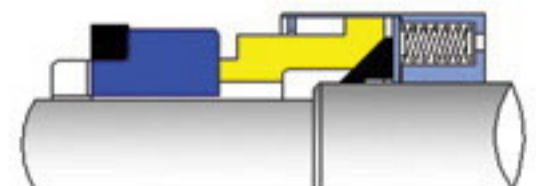
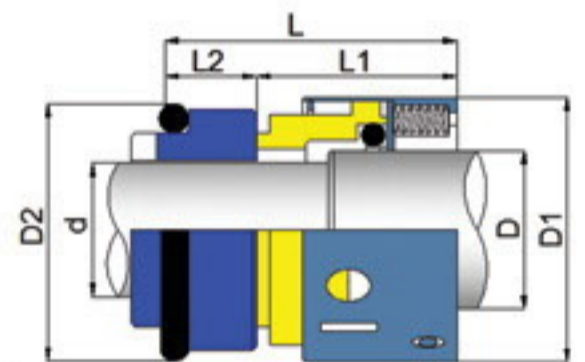
Speed: Up to 25m/s

Temperature: -30°C to +200°C

Material available:

Seal faces: Carbon, Ceramic, Sic, SSic, TC

Elastomer: Nitrile, EPDM, Viton, PTFE



Contact us to check the price and availability

www.luwint.com.au Email: office@luwint.com.au

MJ92N



MJ92N

Operating Conditions:

Pressure: Up to 25 bar

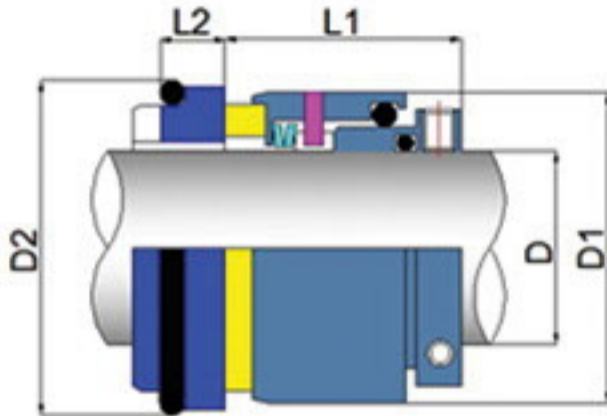
Speed: Up to 20m/s

Temperature: -30°C to +200°C

Material available:

Seal faces: Carbon, Ceramic, Sic, SSic, TC

Elastomer: Nitrile, EPDM, Viton, PTFE



D(mm)	D2	D1	L1	L2
18	33.0	32.0	30.7	7.0
20	35.0	34.0	30.7	7.0
22	37.0	36.0	30.7	7.0
24	39.0	38.0	33.2	7.0
25	40.0	39.0	33.2	7.0
28	43.0	42.0	35.7	7.0
30	45.0	44.0	35.7	7.0
32	48.0	46.0	35.7	7.0
33	48.0	47.0	35.7	7.0
35	50.0	49.0	35.7	7.0
38	56.0	54.0	37.2	8.0
40	58.0	56.0	37.2	8.0
43	61.0	59.0	37.2	8.0
45	63.0	61.0	37.2	8.0
48	66.0	64.0	37.2	8.0
50	70.0	66.0	38.2	9.5
53	73.0	69.0	38.2	9.5
55	75.0	71.0	38.2	9.5
58	78.0	78.0	42.2	10.5
60	80.0	80.0	42.2	10.5
63	83.0	83.0	42.2	10.5
65	85.0	85.0	42.2	10.5
68	90.0	88.0	41.7	11.0
70	92.0	90.0	48.7	11.5
75	97.0	99.0	48.7	11.5
80	105.0	104.0	48.7	11.5
85	110.0	109.0	48.7	11.5
90	115.0	114.0	52.2	13.0
95	120.0	119.0	52.2	13.0
100	125.0	124.0	52.2	13.0

MT80

D(mm&IN)	D1	D2	L1	L2
0.625	27.0	28.5	19.1	6.3
16mm	27.0	28.5	19.1	6.3
0.750	30.0	31.7	19.1	6.3
24mm	34.1	35.4	19.1	7.6
28mm	40.0	42.0	19.1	7.6
1.125	39.5	41.2	19.1	7.6
30mm	41.0	42.7	19.1	7.6
1.250	42.4	44.2	19.1	7.6
32mm	42.4	44.4	19.1	7.6
1.375	45.5	47.6	19.1	7.6
1.500	51.8	53.9	21.1	8.1
1.750	58.2	60.3	21.1	8.1
1.875	61.4	63.5	21.1	8.1
50mm	61.9	63.9	21.1	8.1
2.000	64.6	66.6	22.1	9.6
2.125	71.0	73.0	22.1	9.6
2.125	71.0	73.9	22.1	9.6
2.150	72.0	75.0	22.1	9.6
55mm	72.0	75.0	22.1	9.6
63mm	79.3	83.0	25.8	9.1
2.500	79.3	88.9	25.8	9.1
2.750	88.9	95.2	25.8	9.1
2.875	94.0	98.4	25.8	9.1
75mm	96.0	100.4	25.8	9.1

MT80

Operating Conditions:

Pressure: Up to 10 bar

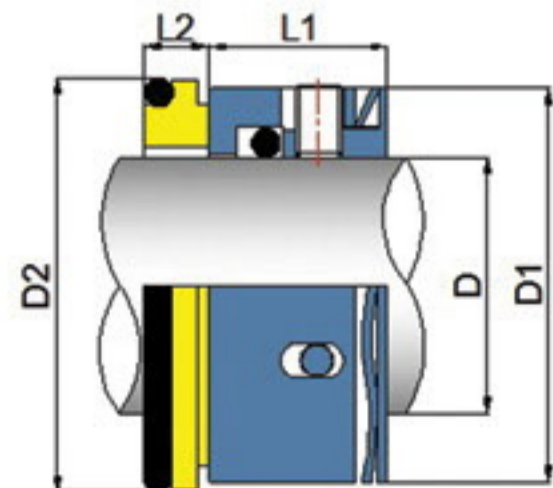
Speed: Up to 6 m/s

Temperature: -30°C to +200°C

Material available:

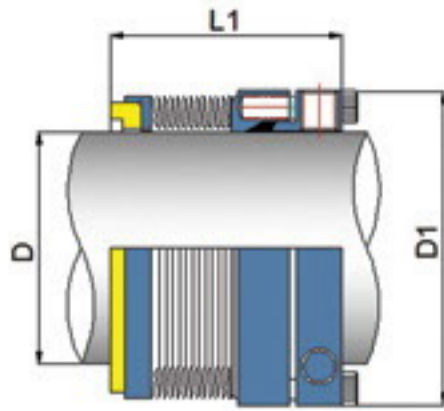
Seal faces: Carbon, SS, Sic, SSic, TC

Elastomer: Nitrile, EPDM, Viton,



Contact us to check the price and availability

M609 Range



Operating Conditions:

Pressure: Up to 25 bar

Speed: Up to 25m/s

Temperature: -30°C to +360°C

Material available:

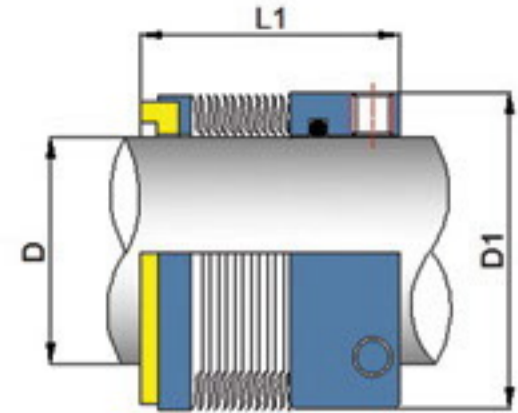
Seal faces: Carbon, Sic, SSic, TC

Elastomer: Nitrile, EPDM, Viton, Graphite

D(IN)	D1	L1
1.000	41.3	38.9
1.125	44.5	39.7
1.250	47.6	40.5
1.375	50.8	40.5
1.500	54.0	40.5
1.625	57.2	40.5
1.750	60.3	41.3
1.875	63.5	41.3
2.000	66.7	42.1
2.125	69.9	42.1
2.250	73.0	43.7
2.375	76.2	43.7
2.500	82.6	44.5
2.625	85.7	45.2
2.750	88.9	45.2
2.875	93.7	47.6
3.000	96.8	47.6
3.125	101.6	47.6
3.250	104.8	47.6
3.375	108.0	47.6
3.500	111.1	47.6
3.625	114.3	47.6
3.750	117.5	47.6
3.875	120.7	47.6
4.000	123.8	47.6



M680 Range



Operating Conditions:

Pressure: Up to 25 bar

Speed: Up to 25m/s

Temperature: -30°C to +327°C

Material available:

Seal faces: Carbon, Sic, SSic, TC

Elastomer: Nitrile, EPDM, Viton, Kalrez

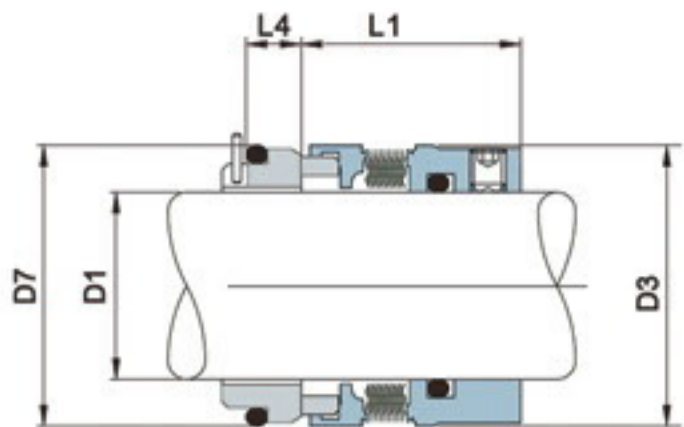
D(IN)	D1	L1	D (mm)	D1	L1
0.750	1.312	1.250	18	32.0	27.5
0.875	1.437	1.250	20	33.3	27.5
0.937	1.500	1.250	22	36.0	27.5
1.000	1.562	1.250	24	38.1	30.0
1.125	1.687	1.250	25	39.0	30.0
1.250	1.812	1.312	28	42.0	32.5
1.375	1.937	1.437	30	44.0	32.5
1.500	2.062	1.437	32	46.0	32.5
1.625	2.187	1.437	33	47.0	32.5
1.750	2.132	1.437	35	49.2	32.5
1.875	2.437	1.500	38	52.4	34.0
2.000	2.562	1.500	40	55.6	34.0
2.125	2.687	1.500	43	58.7	34.0
2.250	2.812	1.562	45	58.7	34.0
2.375	2.937	1.562	48	61.9	34.0
2.500	3.187	1.562	50	65.1	34.5
2.625	3.312	1.625	53	68.3	34.5
2.750	3.437	1.625	55	71.0	34.5
2.875	3.625	1.687	60	74.6	39.5
3.000	3.750	1.687	65	84.1	38.5
3.125	3.875	1.750	70	87.3	45.0
3.250	4.000	1.750	75	95.3	45.0
3.375	4.125	1.750	80	98.4	44.5
3.500	4.250	1.875	85	104.8	44.5
3.625	4.375	1.875	90	108.0	49.5
3.750	4.500	1.875	95	114.3	49.5
3.875	4.625	1.875	100	120.7	49.5
4.000	4.750	1.875	105	131.7	48.3



Contact us to check the price and availability

www.luwint.com.au Email: office@luwint.com.au

M85N Range



Operating Conditions:

Pressure: Up to 20 bar

Speed: Up to 23m/s

Temperature: -30°C to +200°C

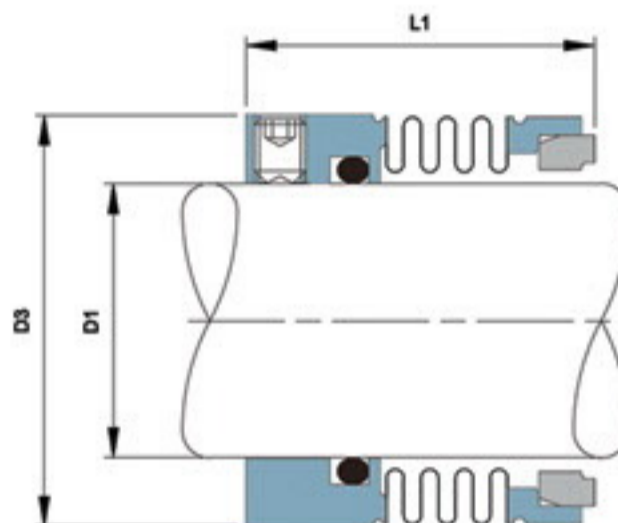
Material available:

Seal faces: Carbon, Sic, SSic, TC

Elastomer: Nitrile, EPDM, Viton, Kalrez

D1(mm)	D3	D7	L1	L4
16	30.0	27.0	32.7	7.0
18	32.0	33.0	30.7	7.0
20	33.5	35.0	30.7	7.0
22	36.5	37.0	28.7	7.0
24	39.0	39.0	28.7	11.5
25	39.6	40.0	31.2	11.5
28	42.8	43.0	31.2	11.5
30	45.0	45.0	31.2	11.5
32	46.0	48.0	31.2	11.5
33	48.0	48.0	31.2	11.5
35	49.2	50.0	31.2	11.5
38	52.3	56.0	31.2	14.0
40	55.5	58.0	31.2	14.0
43	57.5	61.0	31.2	14.0
45	58.7	63.0	31.2	14.0
48	61.9	66.0	31.2	14.0
50	65.0	70.0	32.7	15.0
53	68.2	73.0	32.7	15.0
55	70.0	75.0	32.7	15.0
58	71.7	78.0	37.7	15.0
60	74.6	80.0	37.7	15.0
63	79.0	83.0	37.7	15.0
65	84.1	85.0	37.7	15.0
68	87.3	90.0	34.7	18.0
70	87.3	92.0	42.2	18.0
75	95.0	97.0	42.2	18.0
80	98.4	105.0	42.0	18.2
85	104.7	110.0	42.0	18.2
90	111.0	115.0	47.0	18.2
95	114.0	120.0	48.0	17.2
100	117.4	125.0	48.0	17.2

M515 Range



Operating Conditions:

Pressure: Up to 20 bar

Speed: Up to 23m/s

Temperature: -30°C to +200°C

Material available:

Seal faces: Carbon, Sic, SSic, TC

Elastomer: Nitrile, EPDM, Viton, Kalrez

D1(mm)	D3	L1
30	44.5	38.0
35	48.8	43.0
38	53.6	42.0
40	56.6	42.0
45	61.9	47.0
50A	65.4	46.5
50	66.3	46.5
55	72.0	56.5
60	76.6	56.5
65	83.5	66.5
70	90.0	65.5
75	93.8	65.5
80	96.8	75.0
85	102.7	75.0
90	110.0	75.0

Contact us to check the price and availability

www.luwint.com.au Email: office@luwint.com.au

MT32 MT37

Operating Conditions:

Pressure: Up to 10 bar

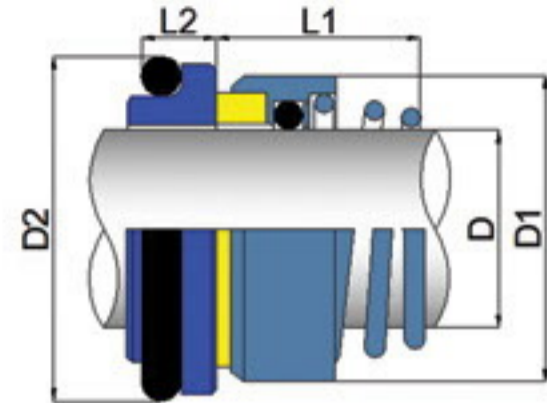
Speed: Up to 10m/s

Temperature: -30°C to +200°C

Material available:

Seal faces: Carbon, Ceramic, Sic, SSic, TC

Elastomer: Nitrile, EPDM, Viton



MT32 (Carbon rotary face)

D(mm)	D1	D2	L1 (M32)	L2
10	20.0	19.2	16.9	6.6
12	22.0	21.6	17.4	5.6
14	24.0	24.6	17.4	5.6
16	26.0	28.0	17.4	7.5
18	31.0	30.0	20.5	8.0
20	34.0	36.0	22.0	8.0
22	36.0	35.0	23.5	7.5
24	38.0	38.0	25.0	7.5
25	39.0	38.0	26.5	7.5
28	42.0	42.0	26.5	9.0
30	44.0	45.0	26.5	10.5
32	46.0	48.0	28.5	10.5
35	49.0	52.0	28.5	11.0
38	54.0	55.0	32.2	10.3
40	56.0	58.0	34.7	10.8
45	61.0	64.0	39.2	11.6
48	61.0	68.4	44.7	11.6
50	66.0	69.3	45.7	11.6
55	71.0	75.4	49.0	13.3
58	78.0	78.4	55.0	13.3
60	79.0	80.4	55.0	13.3
65	85.0	85.4	54.3	13.0
68	88.0	91.5	56.3	13.7
70	90.0	92.0	56.3	13.0
75	98.0	99.0	56.3	14.0
80	103.0	104.0	59.3	15.0

MT37 (Sic rotary face)

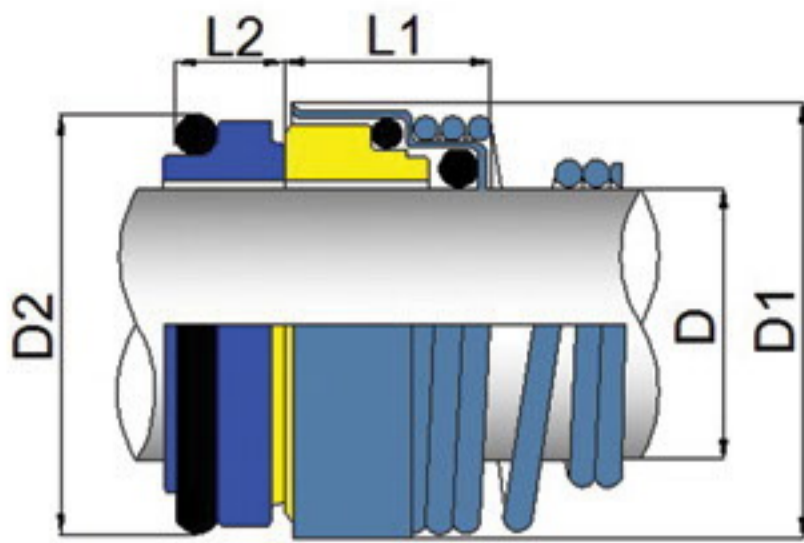
D(mm)	D1	D2	L1 (M37)	L2
10	20.0	19.2	16.9	6.6
12	22.0	21.6	17.4	5.6
14	24.0	24.6	16.5	5.6
16	26.0	28.0	16.5	7.5
18	31.0	30.0	18.0	8.0
20	34.0	36.0	19.0	8.0
22	36.0	35.0	20.5	7.5
24	38.0	38.0	22.0	7.5
25	39.0	38.0	23.5	7.5
28	42.0	42.0	23.5	9.0
30	44.0	45.0	24.5	10.5
32	46.0	48.0	28.0	10.5
35	49.0	52.0	28.0	11.0
38	54.0	55.0	31.0	10.3
40	56.0	58.0	34.0	10.8
45	61.0	64.0	36.5	11.6
48	61.0	68.4	42.0	11.6
50	66.0	69.3	43.0	11.6
55	71.0	75.4	47.0	13.3
58	78.0	78.4	51.0	13.3
60	79.0	80.4	51.0	13.3
65	85.0	85.4	52.0	13.0
68	88.0	91.5	54.0	13.7
70	90.0	92.0	54.0	13.0
75	98.0	99.0	54.0	14.0
80	103.0	104.0	58.0	15.0



Contact us to check the price and availability

www.luwint.com.au Email: office@luwint.com.au

MR3 Range



Operating Conditions:

Pressure: Up to 10 bar

Speed: Up to 10m/s

Temperature: -30°C to +200°C

Material available:

Seal faces: Carbon, Ceramic, Sic, SSic, TC

Elastomer: Nitrile, EPDM, Viton

D(mm)	D1	D2	L1	L2
10	20.0	18.1	15.0	5.5
12	22.0	20.6	18.0	5.5
14	25.0	23.1	22.0	6.0
15	29.0	26.9	22.0	7.0
16	29.0	26.9	23.0	7.0
17	29.0	26.9	23.0	7.0
18	33.0	30.9	24.0	8.0
19	33.0	30.9	25.0	8.0
20	33.0	30.9	25.0	8.0
21	38.0	35.4	25.0	8.0
22	38.0	35.4	25.0	8.0
23	38.0	35.4	27.0	8.0
24	38.0	35.4	27.0	8.0
25	40.0	38.2	27.0	8.5
28	46.0	43.3	29.0	9.0
29	46.0	43.3	30.0	9.0
30	46.0	43.3	30.0	9.0
32	46.0	43.3	30.0	9.0
33	48.0	53.5	39.0	11.5
35	50.0	53.5	39.0	11.5
38	56.0	60.5	39.0	11.5
40	58.0	60.5	39.0	11.5

MU3 Range

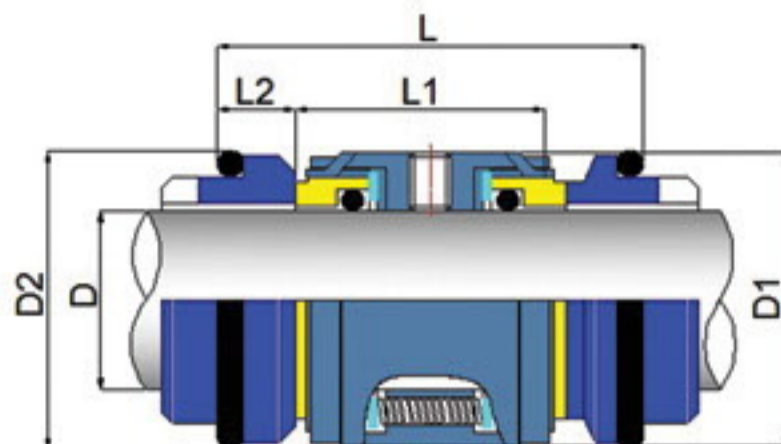
D(mm)	D1	D2	L1	L2
10	20.0	21.0	15.0	7.0
12	22.0	23.0	18.0	7.0
14	25.0	25.0	22.0	7.0
16	29.0	27.0	23.0	7.0
18	33.0	33.0	24.0	10.0
20	33.0	35.0	25.0	10.0
22	38.0	37.0	25.0	10.0
24	38.0	39.0	27.0	10.0
25	40.0	40.0	27.0	10.0
28	46.0	43.0	29.0	10.0
30	46.0	45.0	30.0	10.0
32	46.0	48.0	30.0	10.0
33	48.0	48.0	39.0	10.0
35	50.0	50.0	39.0	10.0
38	58.0	56.0	42.0	13.0
40	58.0	58.0	42.0	13.0



Contact us to check the price and availability

www.luwint.com.au Email: office@luwint.com.au





Operating Conditions:

Pressure: Up to 16 bar

Speed: Up to 20m/s

Temperature: -30°C to +200°C

Material available:

Seal faces: Carbon, Ceramic, Sic, SSic, TC

Elastomer: Nitrile, EPDM, Viton

D(mm)	D1	D2	L1	L2	L
25	40.0	40.0	38.0	11.5	61.0
28	43.0	43.0	39.0	11.5	62.0
30	45.0	45.0	39.0	11.5	62.0
32	48.0	47.0	39.0	11.5	62.0
33	48.0	48.0	39.0	11.5	62.0
35	50.0	50.0	39.0	11.5	62.0
38	56.0	55.0	41.0	14.0	69.0
40	58.0	57.0	42.0	14.0	70.0
43	61.0	60.0	42.0	14.0	70.0
45	63.0	62.0	42.0	14.0	70.0
48	66.0	65.0	42.0	14.0	70.0
50	70.0	67.0	43.0	15.0	73.0
53	73.0	70.0	43.0	15.0	73.0
55	75.0	72.0	43.0	15.0	73.0
58	78.0	79.0	56.0	15.0	86.0
60	80.0	81.0	56.0	15.0	86.0
63	83.0	84.0	55.0	15.0	85.0
65	85.0	86.0	55.0	15.0	85.0
68	90.0	89.0	55.0	18.0	91.0
70	92.0	91.0	56.0	18.0	92.0
75	97.0	99.0	56.0	18.0	92.0
80	105.0	104.0	56.0	18.2	92.4
85	110.0	109.0	56.0	18.2	92.4
90	115.0	114.0	56.0	18.2	92.4
95	120.0	119.0	56.0	17.2	90.4
100	125.0	124.0	56.0	17.2	90.4

Contact us to check the price and availability

www.luwint.com.au Email: office@luwint.com.au



MR2 Range

D(mm)	D1	D2	L1	L2	L
10	19.0	18.1	15.0	5.5	20.5
11	21.0	20.6	18.0	5.5	23.5
12	21.0	20.6	18.0	5.5	23.5
13	23.0	23.1	22.0	6.0	28.0
14	23.0	23.1	22.0	6.0	28.0
15	24.0	26.9	22.0	7.0	29.0
16	26.0	26.9	23.0	7.0	30.0
17	26.0	26.9	23.0	7.0	30.0
18	29.0	30.9	24.0	8.0	32.0
19	31.0	30.9	25.0	8.0	33.0
20	31.0	30.9	25.0	8.0	33.0
21	33.0	35.4	25.0	8.0	33.0
22	33.0	35.4	25.0	8.0	33.0
23	35.0	35.4	27.0	8.0	35.0
24	35.0	35.4	27.0	8.0	35.0
25	36.0	38.2	27.0	9.0	36.0
26	36.0	38.2	27.0	9.0	36.0
27	36.0	38.2	27.0	9.0	36.0
28	40.0	43.3	29.0	9.0	38.0
29	43.0	43.3	30.0	9.0	39.0
30	43.0	43.3	30.0	9.0	39.0
31	46.0	43.3	30.0	9.0	39.0
32	46.0	43.3	30.0	9.0	39.0
33	46.0	53.5	39.0	11.5	50.5
34	49.0	53.5	39.0	11.5	50.5
35	49.0	53.5	39.0	11.5	50.5
36	49.0	53.5	39.0	11.5	50.5
37	49.0	53.5	39.0	11.5	50.5
38	53.0	60.5	39.0	11.5	50.5
39	56.0	60.5	39.0	11.5	50.5
40	56.0	60.5	39.0	11.5	50.5
41	56.0	60.5	39.0	11.5	50.5
42	59.0	60.5	39.0	11.5	50.5
43	59.0	60.5	39.0	11.5	50.5
44	61.0	65.5	41.0	11.5	52.5
45	61.0	65.5	41.0	11.5	52.5
46	61.0	65.5	41.0	11.5	52.5
47	64.0	65.5	41.0	11.5	52.5
48	64.0	65.5	41.0	11.5	52.5
49	64.0	65.5	41.0	11.5	52.5
50	66.0	72.5	45.0	11.5	56.5
55	71.0	72.5	47.0	11.5	58.5
60	78.0	79.3	49.0	11.5	60.5
65	84.0	84.5	51.0	11.5	62.5
70	89.6	89.5	51.0	11.5	62.5
75	98.0	94.5	57.0	11.5	68.5
80	100.0	99.5	59.0	11.5	70.5
85	107.5	105.5	59.0	13.5	72.5
90	111.0	111.5	62.0	13.5	75.5
95	119.0	116.5	62.0	13.5	75.5
100	123.8	119.5	75.0	13.5	88.5



Operating Conditions:

Pressure: Up to 16 bar

Speed: Up to 15m/s

Temperature: -30°C to +200°C

Material available:

Seal faces: Carbon, SS, Sic, SSic, TC

Elastomer: Nitrile, EPDM, Viton

MU2 Range

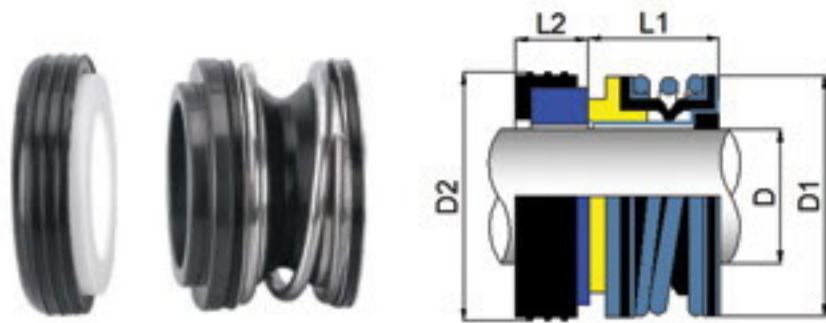
D(mm)	D1	D2	L1	L2	L
10	19.0	21.0	15.0	7.0	22.0
12	21.0	23.0	18.0	7.0	25.0
14	23.0	25.0	22.0	7.0	29.0
16	26.0	27.0	23.0	7.0	30.0
18	29.0	33.0	24.0	10.0	34.0
20	31.0	35.0	25.0	10.0	35.0
22	33.0	37.0	25.0	10.0	35.0
24	35.0	39.0	27.0	10.0	37.0
25	36.0	40.0	27.0	10.0	37.0
28	40.0	43.0	29.0	10.0	39.0
30	43.0	45.0	30.0	10.0	40.0
32	46.0	48.0	30.0	10.0	40.0
33	46.0	48.0	39.0	10.0	49.0
35	49.0	50.0	39.0	10.0	49.0
38	53.0	56.0	42.0	13.0	55.0
40	56.0	58.0	42.0	13.0	55.0
43	59.0	61.0	47.0	13.0	60.0
45	61.0	63.0	47.0	13.0	60.0
48	64.0	66.0	47.0	13.0	60.0
50	66.0	70.0	46.0	14.0	60.0
53	69.0	73.0	56.0	14.0	70.0
55	71.0	75.0	56.0	14.0	70.0
58	76.0	78.0	56.0	14.0	70.0
60	78.0	80.0	56.0	14.0	70.0
63	81.0	83.0	56.0	14.0	70.0
65	84.0	85.0	66.0	14.0	80.0
68	88.0	90.0	64.0	16.0	80.0
70	89.6	92.0	64.0	16.0	80.0
75	98.0	97.0	64.0	16.0	80.0
80	100.0	105.0	72.0	18.0	90.0
85	107.5	110.0	72.0	18.0	90.0
90	111.0	115.0	72.0	18.0	90.0
92	119.0	120.0	72.0	18.0	90.0
100	123.8	125.0	72.0	18.0	90.0

Contact us to check the price and availability

www.luwint.com.au Email: office@luwint.com.au

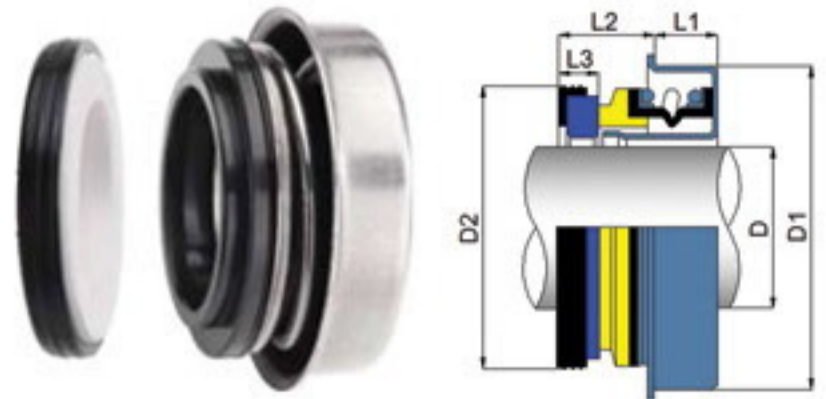


M6 Range



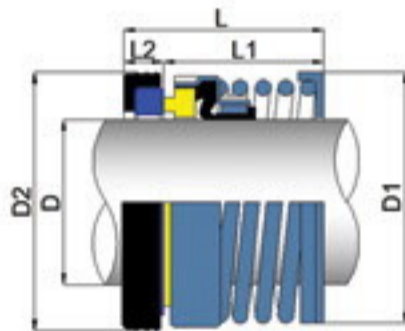
D(IN)	D1	D2	L1	L2	L
0.375	24.0	22.2	16.7	6.3	23.0
0.500	27.0	25.4	16.7	8.0	24.7
0.625	31.0	31.8	18.3	10.3	28.6
0.750	35.0	35.0	18.3	10.3	28.6
0.875	36.3	38.1	20.7	11.1	31.7
1.000	43.5	41.3	20.7	11.0	31.7

M6A Range



D	D1	D2	L1	L2	L3
1/2"	28.5	25.00	8.0	10.2	5.0
1/2" B	30.0	25.00	8.0	10.2	5.0
1/2" L	33.4	25.00	6.7	11.5	5.0
5/8"	36.5	31.00	8.0	11.8	5.0
5/8" H	36.5	31.75	8.0	16.8	10.0
3/4"	40.0	35.00	9.5	11.0	5.0
3/4"H	40.0	34.95	9.5	16.0	10.0
1.000"	47.0	41.30	10.0	19.0	11.0
1.125"	52.0	48.00	11.0	16.0	8.5

M560 Range



D(mm)	D1	D2	L1	L2	L
10	23.5	24	16	7	23
11	23.5	24	16	7	23
12	26.0	26	17	7	24
14	28.0	28	18	7	25
15	28.0	28	18	7	25
16	30.0	32	19	8	25
18	32.5	35	18	8	26
19	32.5	35	18	8	26
20	34.0	38	20	8	28
22	34.0	40	20	8	28
25	40.0	44	20	9	29
28	44.5	46	21	9	30
30	46.5	50	22	9	31
32	46.5	54	24	9	33
35	51.5	58	26	10	36
38	54.0	60	27	10	37
40	58.0	64	28	10	38
45	61.5	66	30	10	40
50	70.5	72	32	10	42

M560

Operating Conditions:

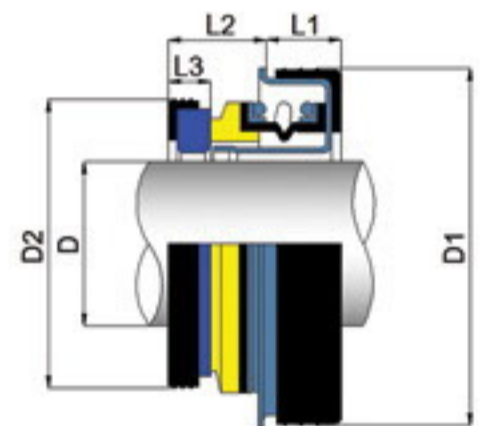
Pressure: Up to 10 bar
 Speed: Up to 13m/s
 Temperature: -30°C to +200°C

Material available:

Seal faces: Carbon, Ceramic, Sic, SSic, TC
 Elastomer: Nitrile, EPDM, Viton



M6B Range



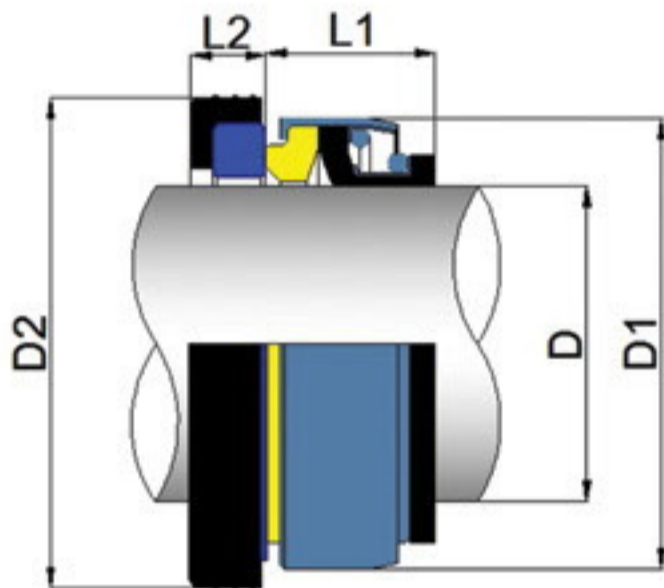
D (mm)	D1	D2	L1	L2	L3
10	27.0	29.0	7.5	10.5	4.0
12	32.0	25.0	9.0	10.2	5.0
16	41.0	31.0	10.0	11.8	5.0
20	45.0	35.0	11.5	11.0	5.0
25	52.0	41.3	12.0	19.0	11.0
30	58.0	48.0	12.5	16.5	8.5



Contact us to check the price and availability

www.luwint.com.au Email: office@luwint.com.au

M301 Range



Operating Conditions:

Pressure: Up to 6 bar

Speed: Up to 12m/s

Temperature: -30°C to +200°C

Material available:

Seal faces: Carbon, Ceramic, Sic, SSic, TC

Elastomer: Nitrile, EPDM, Viton

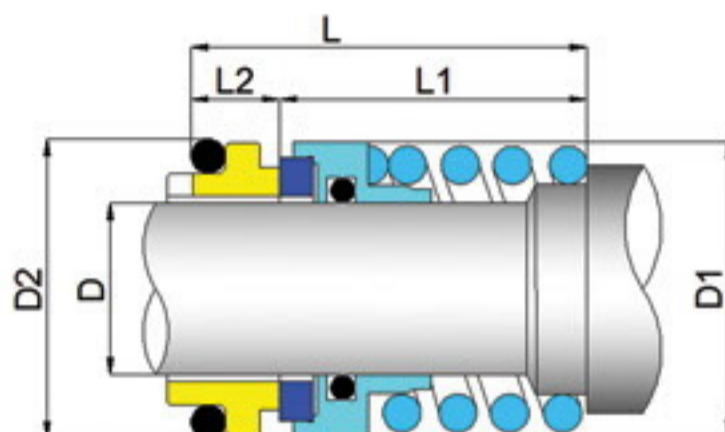


D(mm)	D1	D2	L1	L2
6	18	18.0	10.0	4.0
8S	18	22.0	11.0	4.0
8M	20	21.0	13.0	6.0
8L	24	26.0	11.0	8.0
10	24	26.0	11.0	8.0
11	24	26.0	13.0	8.0
12	24	26.0	13.0	8.0
13	24	26.0	13.0	5.5
13H	24	26.0	13.0	8.0
14S	26	28.0/28.5	13.0	8.0
14M	28	28.0/28.5	13.0	8.0
14L	32	29.5/38.0	13.0	8.0
15S	28	30.0	13.0	8.0
15M	32	29.5	13.0	8.0
15L	39	38.0	13.0	8.0
16S	28	30.0	13.0	8.0
16M	32	29.5	13.0	8.0
16L	39	42.0	13.0	8.0
17	39	42.0	13.0	8.0
18	39	42.0	13.0	8.0
19	39	42.0	13.0	8.0
20S	35	38.0	13.0	8.0
20M	39	42.0	13.0	8.0
20L	42	45.0	13.0	10.0
22S	39	42.0	13.0	8.0
22	42	45.0	13.0	10.0
23	47	50.0	13.5	10.0
24	47	50.0	13.5	10.0
25	47	50.0	13.5	10.0
25S	42	0.9	13.5	10.0
26	47	50.0	13.5	10.0
27	47	50.0	13.5	10.0
28	54	57.0	15.0	10.0
30	54	57.0	15.0	10.0
32	54	57.0	15.0	10.0
35	60	63.0	16.0	10.0
38	65	68.0	18.0	12.0
40	65	68.0	18.0	12.0
45	70	73.0	20.0	12.0
50	85	88.0	23.0	15.0
55	85	88.0	23.0	15.0
60	105	110.0	30.0	15.0
65	105	110.0	30.0	15.0
70	105	110.0	32.0	15.0

Contact us to check the price and availability

www.luwint.com.au Email: office@luwint.com.au





D (IN)	D2	D1	L1	L2
0.625	28.6	29.0	24.5	9.0
0.750	31.7	32.5	24.5	9.0
0.875	34.9	34.9	26.0	9.0
1.000	39.9	38.1	30.0	10.0
1.125	43.1	42.9	31.5	10.0
1.250	46.3	46.0	34.5	10.0
1.375	49.5	49.2	37.5	10.0
1.500	52.6	52.4	37.5	10.0
1.625	55.8	55.5	37.5	10.0
1.750	59.0	58.7	37.5	10.0
1.875	63.7	61.9	42.5	10.0
2.000	66.9	66.7	45.5	10.0
2.125	70.0	69.9	47.0	10.0
2.250	73.2	73.0	47.0	10.0
2.375	76.4	76.2	50.5	10.0
2.500	79.6	79.4	50.5	10.0
2.625	82.7	82.6	53.5	10.0
2.750	85.9	85.7	53.5	10.0
3.000	95.4	95.3	63.0	10.0

Operating Conditions:

Pressure: Up to 12 bar

Speed: Up to 15m/s

Temperature: -30°C to +200°C

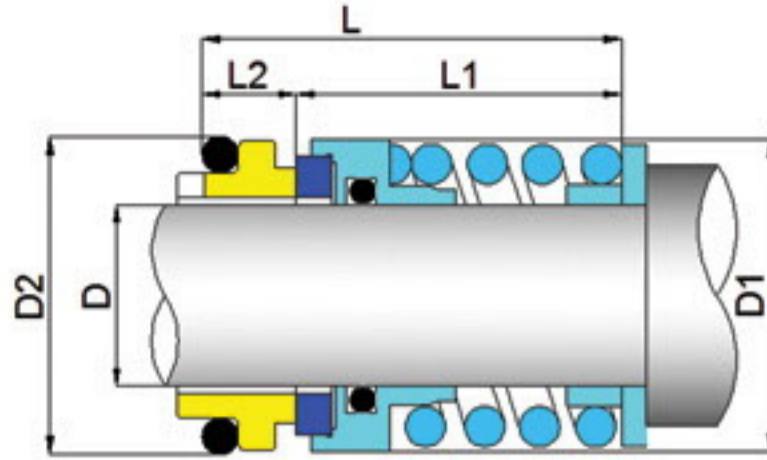
Material available:

Seal faces: Carbon, Ceramic, Sic, SSic, TC

Elastomer: Nitrile, EPDM, Viton

D (mm)	D2	D1	L1	L2
20	33.3	34.5	27.5	9.0
25	39.9	38.1	30.0	10.0
28	43.1	42.0	31.5	10.0
30	44.6	45.5	31.5	10.0
32	46.3	47.0	34.5	10.0
35	49.5	50.0	37.5	10.0
38	52.6	53.0	37.5	10.0
40	54.3	55.0	37.5	10.0
42	55.8	55.5	37.5	10.0
45	59.0	60.0	37.5	10.0
50	65.4	66.0	45.5	10.0
55	70.0	71.0	47.0	10.0
60	76.4	77.0	50.5	10.0
65	81.2	82.0	53.5	10.0
70	85.9	87.0	53.5	10.0
73	89.1	90.0	56.5	10.0
75	90.8	91.5	56.5	10.0

R10 Range



D (IN)	D2	D1	L1	L2
0.625	28.6	29.0	26.0	9.0
0.750	31.7	32.5	26.0	9.0
0.875	34.9	34.9	27.5	9.0
1.000	39.9	38.1	31.5	10.0
1.125	43.1	42.9	33.0	10.0
1.250	46.3	46.0	36.0	10.0
1.375	49.5	49.2	39.0	10.0
1.500	52.6	52.4	39.0	10.0
1.625	55.8	55.5	39.0	10.0
1.750	59.0	58.7	39.0	10.0
1.875	63.7	61.9	44.0	10.0
2.000	66.9	66.7	47.0	10.0
2.125	70.0	69.9	48.5	10.0
2.250	73.2	73.0	48.5	10.0
2.375	76.4	76.2	52.0	10.0
2.500	79.6	79.4	52.0	10.0
2.625	82.7	82.6	55.0	10.0
2.750	85.9	85.7	55.0	10.0
3.000	95.4	95.3	66.0	10.0

Operating Conditions:

Pressure: Up to 12 bar

Speed: Up to 15m/s

Temperature: -30°C to +200°C

Material available:

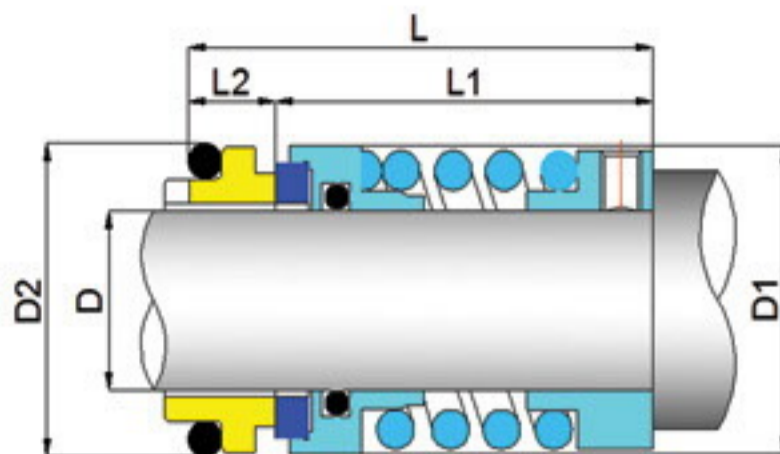
Seal faces: Carbon, Ceramic, Sic, SSic, TC

Elastomer: Nitrile, EPDM, Viton

D (mm)	D2	D1	L1	L2
20	33.3	34.5	29.0	9.0
25	39.9	38.1	31.5	10.0
28	43.1	42.0	33.0	10.0
30	44.6	45.5	33.0	10.0
32	46.3	47.0	36.0	10.0
35	49.5	50.0	39.0	10.0
38	52.6	53.0	39.0	10.0
40	54.3	55.0	39.0	10.0
42	55.8	55.5	39.0	10.0
45	59.0	60.0	39.0	10.0
50	65.4	66.0	47.0	10.0
55	70.0	71.0	48.5	10.0
60	76.4	77.0	52.0	10.0
65	81.2	82.0	55.0	10.0
70	85.9	87.0	55.0	10.0
73	89.1	90.0	60.0	10.0
75	90.8	91.5	60.0	10.0

Contact us to check the price and availability

www.luwint.com.au Email: office@luwint.com.au



D (IN)	D2	D1	L1	L2
0.625	28.57	29.00	32.5	9.0
0.750	31.75	32.50	32.5	9.0
0.875	34.93	34.93	35.3	9.2
1.000	39.85	38.10	39.0	10.0
1.125	43.05	42.86	41.0	10.0
1.250	46.32	46.00	44.0	10.0
1.375	49.48	49.21	47.0	10.0
1.500	52.56	52.39	47.0	10.0
1.625	55.83	55.50	47.0	10.0
1.750	59.02	58.74	47.0	10.0
1.875	63.68	61.91	55.0	10.0
2.000	66.85	66.68	58.5	10.0
2.125	70.03	69.85	60.0	10.0
2.250	73.20	73.02	60.0	10.0
2.375	76.38	76.20	63.0	10.0
2.500	79.56	79.38	63.0	10.0
2.625	82.73	82.55	66.0	10.0
2.750	85.90	85.72	66.0	10.0
2.875	89.08	90.00	71.0	10.0
3.000	95.43	95.25	77.5	10.0
3.250	101.78	101.60	77.5	10.0
3.500	108.13	107.95	77.5	10.0
4.000	124.00	124.50	88.5	10.0

Operating Conditions:

Pressure: Up to 12 bar

Speed: Up to 15m/s

Temperature: -30°C to +200°C

Material available:

Seal faces: Carbon, Ceramic, Sic, SSic, TC

Elastomer: Nitrile, EPDM, Viton

D (mm)	D2	D1	L1	L2
20	33.32	34.5	35.5	9.0
25	39.85	41.1	39.0	10.0
28	43.05	42.0	41.0	10.0
30	44.63	45.5	41.0	10.0
32	46.32	47.0	44.0	10.0
35	49.48	50.0	47.0	10.0
38	52.56	53.0	47.0	10.0
40	54.25	55.0	47.0	10.0
42	55.83	55.5	47.0	10.0
45	59.02	60.0	47.0	10.0
50	65.37	66.0	58.5	10.0
55	70.03	71.0	60.0	10.0
60	76.38	77.0	63.0	10.0
65	81.23	82.0	66.0	10.0
70	85.90	87.0	66.0	10.0
75	90.77	91.5	71.0	10.0
80	100.29	99.5	77.5	10.0
85	104.77	105.5	77.5	10.0
90	109.82	110.5	82.0	10.0
95	114.30	115.5	82.0	10.0
100	119.33	120.0	82.0	10.0

Metric Seat



Imperial Seat



G4	G4
D2	L6
19.2	6.6
21.6	5.6
24.6	5.6
24.6	6.6
28.0	7.5
30.0	8.0
35.0	7.5
35.0	7.5
38.0	7.5
38.0	7.5
42.0	9.0
45.0	10.5
48.0	10.5
50.0	11.0
52.0	11.0
55.0	10.3
58.0	10.8
62.0	12.0
64.0	11.6
68.4	11.6
69.3	11.6
72.3	12.3
75.4	13.3
78.4	13.3
80.4	13.3
85.4	13.0
91.5	13.7
92.0	13.0
99.0	14.0
104.0	15.0
109.0	14.8
114.0	14.8
120.3	15.8
123.3	15.8

		G6=G60	BO&BP	G9	G16
D1(mm)	D7	L1	L2=L3	L4	L5
10	21.0	6.6	-	10.0	-
12	23.0	6.6	-	10.0	-
14	25.0	6.6	12.0	10.0	-
15	-	-	-	-	-
16	27.0	6.6	12.0	10.0	-
18	33.0	7.5	13.5	11.5	7.0
20	35.0	7.5	13.5	11.5	7.0
22	37.0	7.5	13.5	11.5	7.0
24	39.0	7.5	13.3	11.5	7.0
25	40.0	7.5	13.0	11.5	7.0
28	43.0	7.5	12.5	11.5	7.0
30	45.0	7.5	12.0	11.5	7.0
32	48.0	7.5	12.0	11.5	7.0
33	48.0	7.5	12.0	11.5	7.0
35	50.0	7.5	12.0	11.5	7.0
38	56.0	9.0	13.0	14.0	8.0
40	58.0	9.0	13.0	14.0	8.0
43	61.0	9.0	13.0	14.0	8.0
45	63.0	9.0	13.0	14.0	8.0
48	66.0	9.0	13.0	14.0	8.0
50	70.0	9.5	13.5	15.0	9.5
53	73.0	11.0	13.5	15.0	9.5
55	75.0	11.0	13.5	15.0	9.5
58	78.0	11.0	13.5	15.0	10.5
60	80.0	11.0	13.5	15.0	10.5
65	85.0	11.0	13.5	15.0	10.5
68	90.0	11.3	13.5	18.0	11.0
70	92.0	11.3	14.5	18.0	11.5
75	97.0	11.3	14.5	18.0	11.5
80	105.0	12.0	15.0	18.2	11.5
85	110.0	14.0	15.0	18.2	11.5
90	115.0	14.0	15.0	18.2	13.0
95	120.0	14.0	15.0	17.2	13.0
100	125.0	14.0	15.0	17.2	13.0

	CU&OG	CE&W	CU&OG	CE&W
D1(IN)	D2	D7	L1	L2
0.375	22.30	24.60	8.0	8.70
0.500	25.40	27.80	8.0	8.7
0.625	31.75	30.95	10.3	10.3
0.750	34.95	34.15	10.3	10.3
0.875	38.10	37.30	10.3	10.3
1.000	41.30	40.50	11.0	10.3
1.125	44.45	47.65	11.0	11.9
1.250	47.65	50.80	11.0	11.9
1.375	50.80	54.00	11.0	11.9
1.500	54.00	57.15	11.0	11.9
1.625	60.30	60.35	12.7	11.9
1.750	63.50	63.50	12.7	11.9
1.875	66.65	66.70	12.7	11.9
2.000	69.85	69.85	12.7	13.5
2.125	76.20	73.05	14.3	13.5
2.250	79.40	76.20	14.3	13.5
2.375	82.55	79.40	14.3	13.5
2.500	85.87	82.55	14.3	13.5
2.625	85.70	92.10	16.0	15.9
2.750	88.90	95.25	16.0	15.9
2.875	95.25	98.45	16.0	15.9
3.000	98.40	101.60	16.0	15.9
3.125	101.60	111.15	19.8	19.8
3.250	104.80	114.30	19.8	19.8
3.375	107.95	117.50	19.8	19.8
3.500	111.15	120.65	19.8	19.8
3.625	114.30	123.85	19.8	19.8
3.750	117.50	127.00	19.8	19.8
3.875	120.65	130.20	19.8	19.8
4.000	123.85	133.35	19.8	19.8

Contact us to check the price and availability

www.luwint.com.au Email: office@luwint.com.au



LuwintSEAL

Mechanical Seal

Replacement seals to suit Flygt® and Grindex® pumps



Luwint Pty Ltd

Sources of mechanical seals

www.luwint.com.au

New Design Launch

Shaft Size: 20mm 22mm 25mm 28mm 35mm replacement Seal of Flygt Griploc Seal™



Shaft size (mm)	Flygt® Model
20	2037, 2060, 2066, 2075, 2076, 3041, 3050, 3057, 3060, 3065, 3067, 3068, 3075, 3076, 3080, 3085, 4351, 4352, 4400
22	2040, 2056, 2070, 2071, 2102
25	2650, 3102, 4630, 4660, 5520
28	2082, 2090, 2125, 2140
35	2135, 2151, 2201, 3126, 3127, 4440, 4451



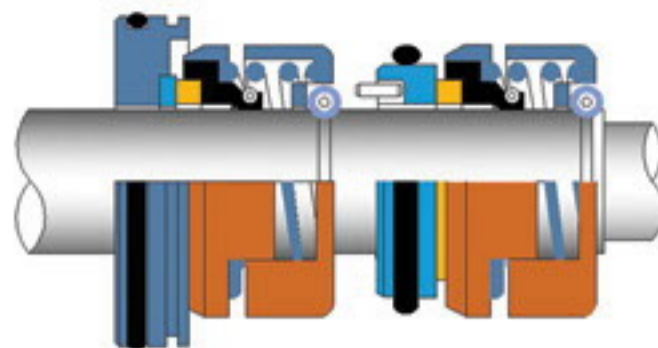
Shaft Size: 20mm 25mm 35mm 45mm replacement seal of Flygt Plug-in Seals™



Contact us to check the price and availability

www.luwint.com.au Email: office@luwint.com.au

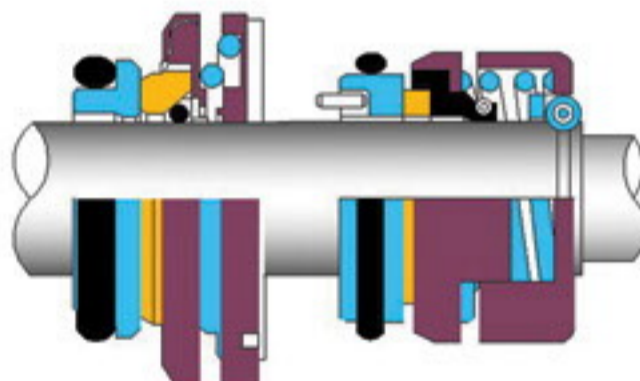
Shaft size : 20mm; Code: 20-F1U-TTV for upper seal, 20-F1L-TTV for lower seal



Material: TC/TC/Viton for upper seal, TC/TC/Viton for lower seal

Relacement seals for Flygt® pumps model: 2066, 2075, 2101, 3065, 3080, Ready 24

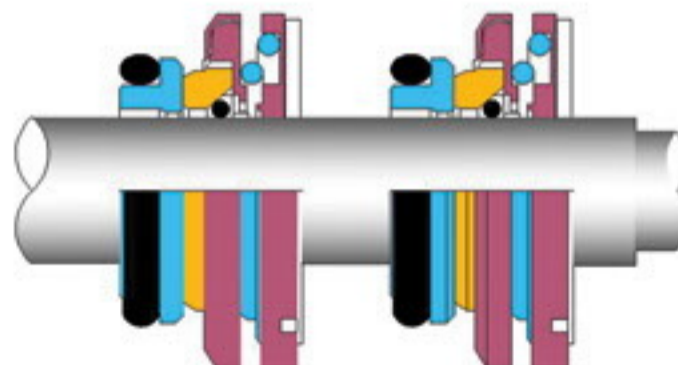
Shaft size : 20mm; Code: 20-F7U-TTV for upper seal, 20-F1L-TTV for lower seal



Material: TC/TC/Viton for upper seal, TC/TC/Viton for lower seal

Relacement seals for Flygt® pumps model: 2024

Shaft size : 20mm; Code: 20-F7U-TTV for upper seal, 20-F7L-TTV for lower seal



Material: Cer/Car/Viton or TC/TC/Viton for upper seal, TC/TC/Viton for lower seal

Relacement seals for Flygt® pumps model: 3085, 3082, 2060, 3041-281, 3057-180, 3060, 3067,3068

Steaty 7



Contact us to check the price and availability

www.luwint.com.au Email: office@luwint.com.au

Shaft size : 20mm; Code: 20-F1U-TTV for upper seal, 20-F8L-TTV for lower seal



Material: TC/TC/Viton for upper seal, TC/TC/Viton for lower seal
Relacement seals for Flygt® pumps model: 4351, 4352, 4400, 3057

Shaft size : 20mm; Code: 20-F7U-TTV for upper seal, 20-F7L-TTV-P for lower seal



Material: Cer/Car/Viton or TC/TC/Viton for upper seal, TC/TC/Viton for lower seal
Relacement seals for Flygt® pumps model: 3085, 3082, 2060, 3041-281, 3057-180, 3060, 3067,3068
Steaty 7

Shaft size : 22mm; Code: 22-F5U-TTV for upper seal, 22-F5L-TTV for lower seal



Material: TC/TC/Viton for upper seal, TC/TC/Viton for lower seal
Relacement seals for Flygt® pumps model: 2070, 2071, 2102-40, 3082

Contact us to check the price and availability

www.luwint.com.au Email: office@luwint.com.au

Shaft size : 22mm; Code: 22-F5U-TTV for upper seal, 22-F5L-TTV for lower seal



Material: TC/TC/Viton for upper seal, TC/TC/Viton for lower seal

Relacement seals for Flygt® pumps model: 2070, 2071, 2102-40, 3082

Shaft size : 25mm; Code: 25-F10U-TTV for upper seal, 25-F10L-TTV for lower seal



Material: Cer/TC/Viton or TC/TC/Viton for upper seal, TC/TC/Viton for lower seal

Relacement seals for Flygt® pumps model: 3102

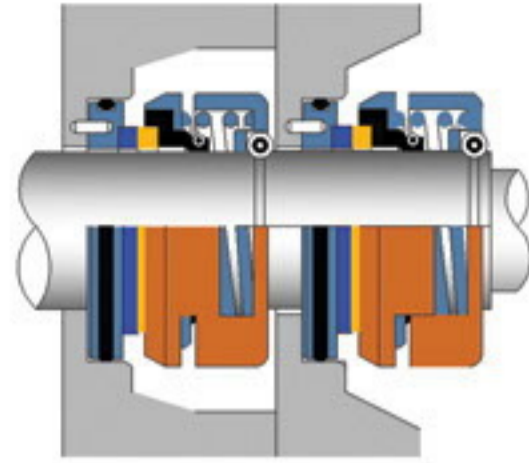
Shaft size : 28mm; Code: 28-F2U-TTV for upper seal, 28-F2L-TTV for lower seal



Material: TC/TC/Viton for upper seal, TC/TC/Viton for lower seal

Relacement seals for Flygt® pumps model: 3101

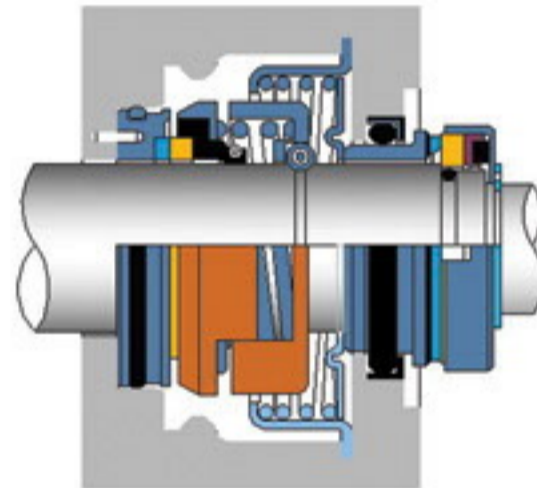
Shaft size : 28mm; Code: 28-F9U-TTV for upper seal, 28-F9L-TTV for lower seal



Material: TC/TC/Viton for upper seal, TC/TC/Viton for lower seal

Relacement seals for Flygt® pumps model: 2082, 2090, 2125, 2140, Ready 90

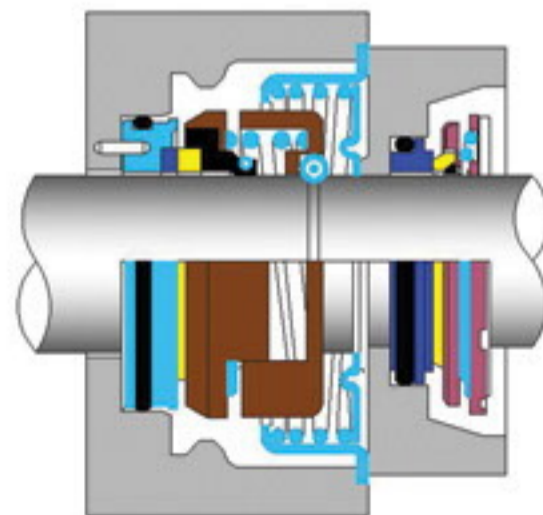
Shaft size : 35mm; Code: 35-F11U-TTV for upper seal, 35-F11L-TTV for lower seal



Material: TC/TC/Viton for upper seal, TC/TC/Viton for lower seal

Relacement seals for Flygt® pumps model: 3126-90, 3126-180, 2084, 2135, 2151-10

Shaft size : 35mm; Code: 35-F11U-TTV for upper seal, 35-F13-TTV for lower seal



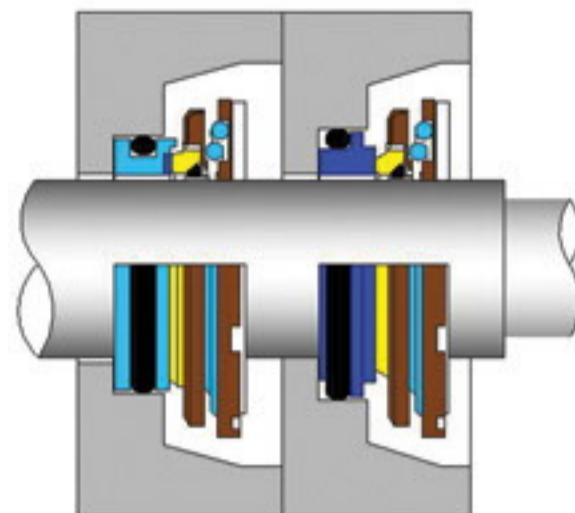
Material: TC/TC/Viton for upper seal, TC/TC/Viton for lower seal

Relacement seals for Flygt® pumps model: 3126-91, 3126-280, 3126-290

Contact us to check the price and availability

www.luwint.com.au Email: office@luwint.com.au

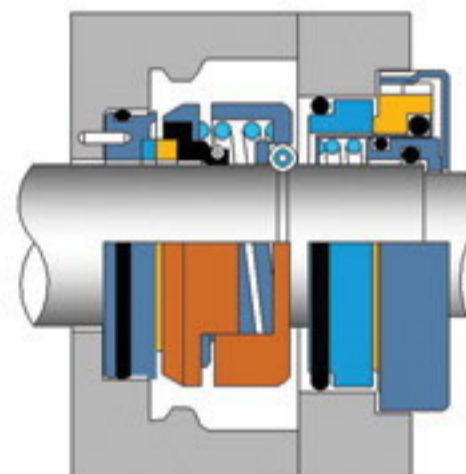
Shaft size : 35mm; Code: 35-F13U-TTV for upper seal, 35-F13L-TTV for lower seal



Material: Car/TC/Viton or TC/TC/Viton for upper seal, TC/TC/Viton for lower seal

Relacement seals for Flygt® pumps model: 3126-181, 3127, 4440, 5530

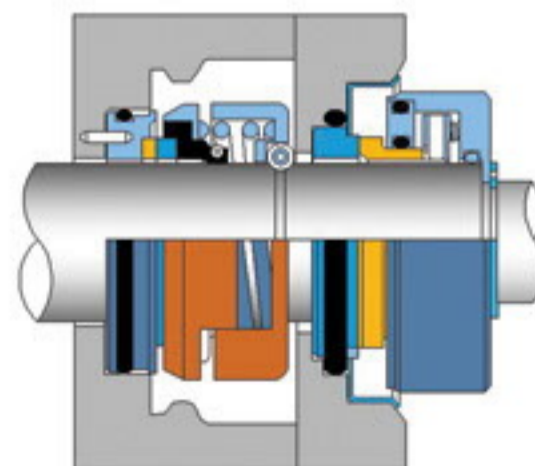
Shaft size : 35mm; Code: 35-F11U-TTV for upper seal, 35-KSL-TTV for lower seal



Material: TC/TC/Viton for upper seal, TC/TC/Viton for lower seal

Relacement seals for Flygt® pumps model: 3126SL

Shaft size : 35mm; Code: 35-F11U-TTV for upper seal, 35-F12L-TTV for lower seal



Material: TC/TC/Viton for upper seal, TC/TC/Viton for lower seal

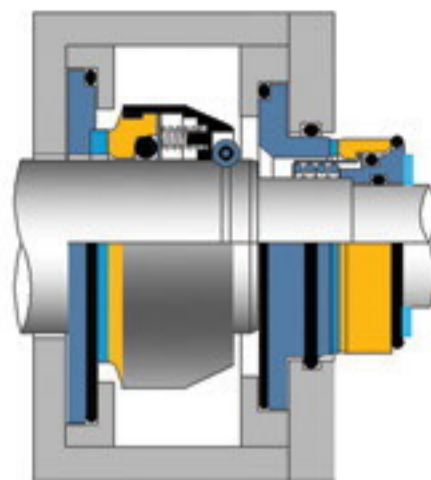
Relacement seals for Flygt® pumps model: 2151-11, 2151-50



Contact us to check the price and availability

www.luwint.com.au Email: office@luwint.com.au

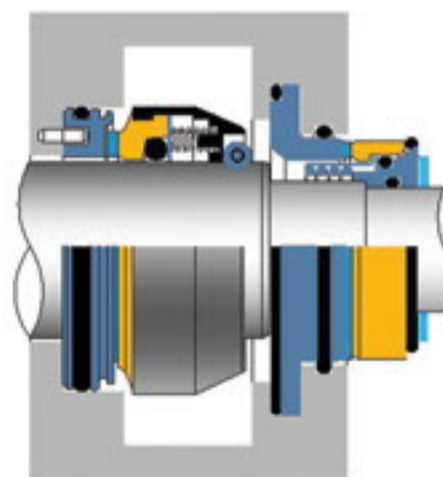
Shaft size : 45/35mm; Code: 45-F14U-TTV for upper seal, 35-F14L-TTV for lower seal



Material: TC/TC/Viton for upper seal, TC/TC/Viton for lower seal

Relacement seals for Flygt® pumps model: 2201-011, 2201-011-35 HT or MT

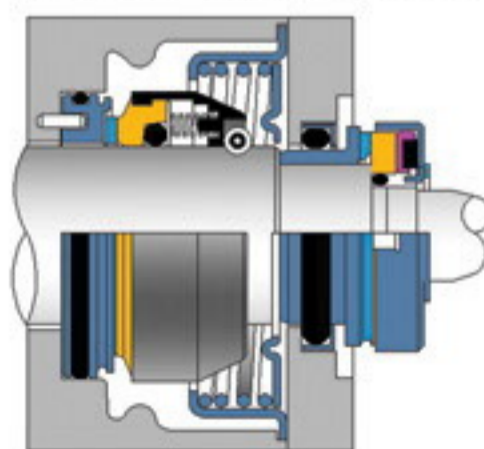
Shaft size : 45/35mm; Code: 45-F15U-TTV for upper seal, 35-F14L-TTV for lower seal



Material: TC/TC/Viton for upper seal, TC/TC/Viton for lower seal

Relacement seals for Flygt® pumps model: 2201-010 LT

Shaft size : 45/35mm; Code: 45-F15U-TTV for upper seal, 35-F11L-TTV for lower seal



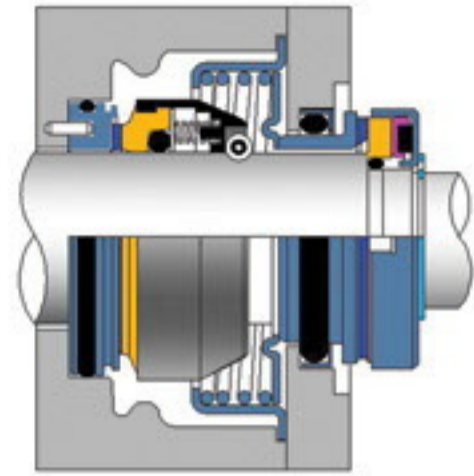
Material: TC/TC/Viton for upper seal, TC/TC/Viton for lower seal

Relacement seals for Flygt® pumps model: 2201-10, 2201-320, 2201-430, 2201-480

Contact us to check the price and availability

www.luwint.com.au Email: office@luwint.com.au

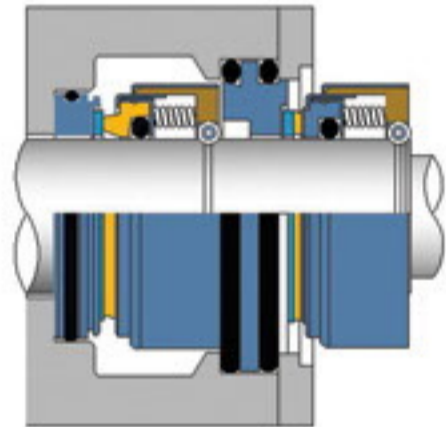
Shaft size : 45mm; Code: 45-F15U-TTV for upper seal, 45-F15L-TTV for lower seal



Material: TC/TC/Viton for upper seal, TC/TC/Viton for lower seal

Relacement seals for Flygt® pumps model: 3140, 3152, 4650, 4660, 2201-590, 2201-690

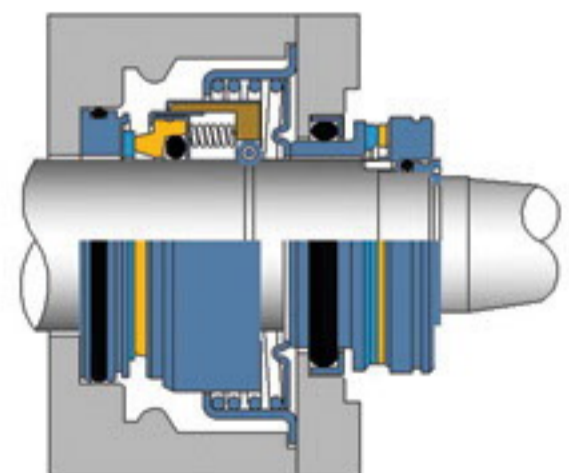
Shaft size : 60mm; Code: 60-F16U-TTV for upper seal, 60-F16L-TTV for lower seal



Material: TC/TC/Viton for upper seal, TC/TC/Viton for lower seal

Relacement seals for Flygt® pumps model: 3200, 2250, 2290

Shaft size : 60mm; Code: 60-F17U-TTV for upper seal, 60-F17L-TTVfor lower seal



Material: TC/TC/Viton for upper seal, TC/TC/Viton for lower seal

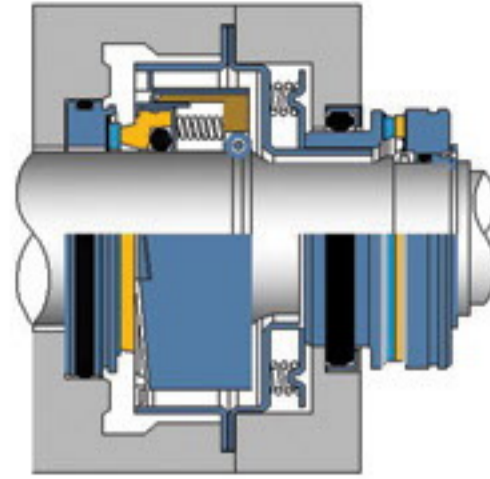
Relacement seals for Flygt® pumps model: 4410, 4430, 3170, 3201, 4670, 4680, 7045, 600



Contact us to check the price and availability

www.luwint.com.au Email: office@luwint.com.au

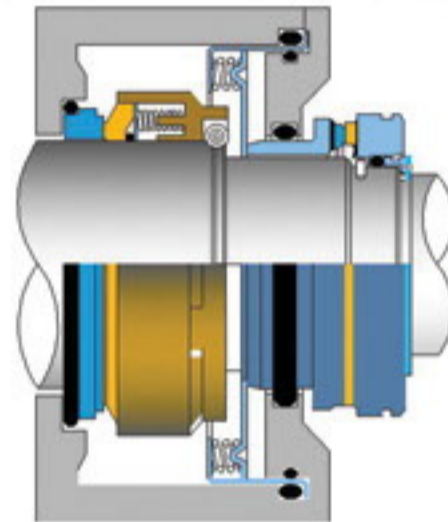
Shaft size : 60mm; Code: 60-F18U-TTV for upper seal, 60-F18L-TTV for lower seal



Material: TC/TC/Viton for upper seal, TC/TC/Viton for lower seal

Relacement seals for Flygt® pumps model: 2400

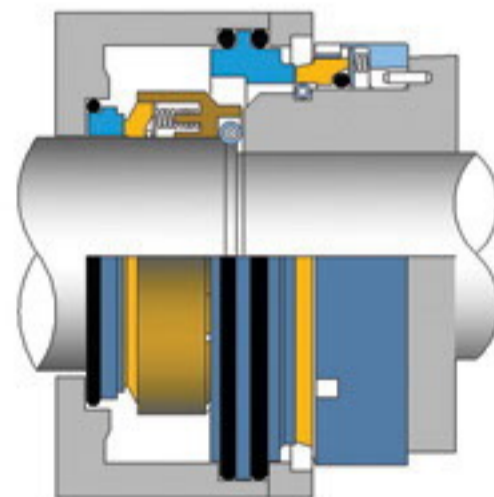
Shaft size : 90mm; Code: 90-F19U-TTV for upper seal, 80-F19L-TTV for lower seal



Material: TC/TC/Viton for upper seal, TC/TC/Viton for lower seal

Relacement seals for Flygt® pumps model: 3230, 3300, 3305, 3355, 3356, 3357, 7050, 7051, 7055, 7060, 7061, 7076, 7556

Shaft size : 90/120mm; Code: 0-F19U-TTV for upper seal, 120-F20L-TTV for lower seal



Material: TC/TC/Viton for upper seal, TC/TC/Viton for lower seal

Relacement seals for Flygt® pumps model: 3310, 3311, 3312, 3350, 3351, 3500, 3501, 3530, 3531, 3600, 3600, 3601, 3602, 7570, 7585, 7080, 7115, 705, 720, 721, 735, 745, 760, 765, 770, 775....

Contact us to check the price and availability

www.luwint.com.au Email: office@luwint.com.au

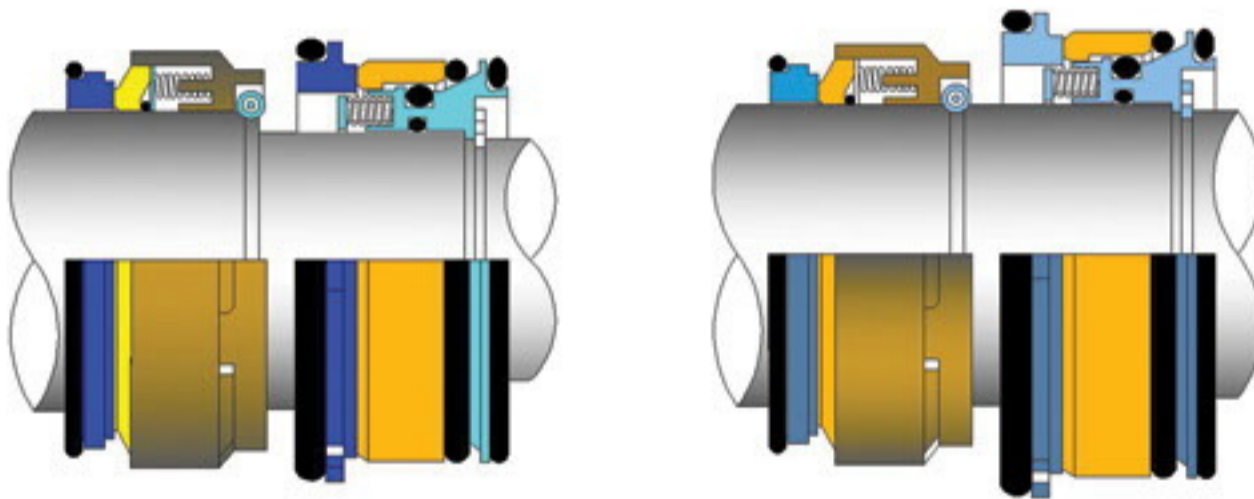
Shaft size : 25/24mm; Code: 25-F26U-TTV for upper seal, 24-F26L-SSV for lower seal



Material: TC/TC/Viton for upper seal, Sic/Sic/Viton for lower seal

Relacement seals for Flygt® pumps model: Grindex Maior , Master, Matador, Midi, Minette

We design and produce any Flygt replacement seal according to sample or drawings



Shaft size : 90/75mm; 90/90mm



Contact us to check the price and availability

www.luwint.com.au Email: office@luwint.com.au

Shaft size : 20mm; Code: LT20



Material: TC/TC/TC/Cer/Viton
Relacement for Flygt® pumps model:
2610, 2620, 2630, 2640, 4610, 4620

Shaft size : 25mm; Code: LT25



Material: TC/TC/TC/TC/Viton
Relacement for Flygt® pumps model:
2660, 4630, 4640

Shaft size : 35mm; Code: LT35



Material: TC/TC/TC/TC/Viton
Relacement for Flygt® pumps model:
2670, 3153, 5100.211, 510.220, 2100.211

Shaft size : 45mm; Code: LT45



Material: TC/TC/TC/TC/Viton
Relacement for Flygt® pumps model:
3171, 4650, 4660, 5100.250, 5100.251,
5100.260, 5100.261

Shaft size : 60mm; Code: LT60



Material: TC/TC/TC/TC/Viton
Relacement for Flygt® pumps model:
3202, 4670, 4680, 5100.300, 5100,.310
5151.300, 5150.310

Shaft size : 80mm; Code: LT80



Material: TC/TC/TC/TC/Viton
Relacement for Flygt® pumps model:
3301, 5150.350, 550.360

Contact us to check the price and availability

www.luwint.com.au Email: office@luwint.com.au



LuwintSEAL

Mechanical Seals

Special Seals

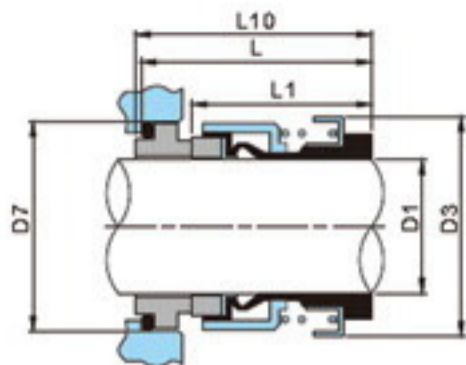


Luwint Pty Ltd

Sources of mechanical seals

www.luwint.com.au

GFB Range



D1(mm)	D3	D7	L1	L	L10
12	22	23.0	31.0	39.0	40.5
16	26	27.0	32.5	40.5	41.5

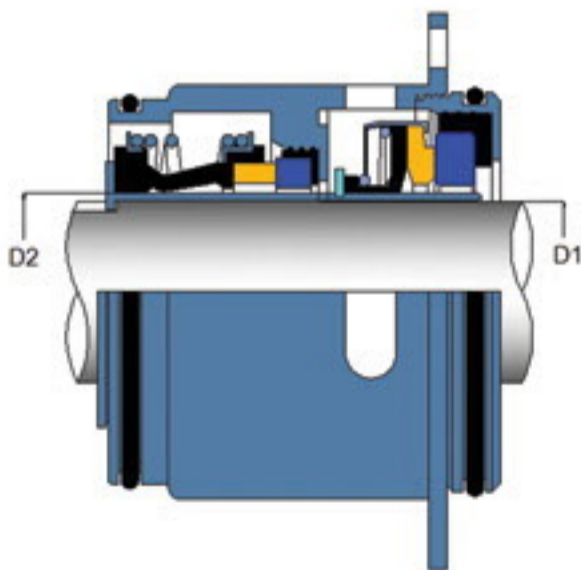
GFC Range

To suit Grundfos CR series pump
Shaft size: 12mm 16mm 22mm



GFD Range

To suit Grundfos Double Cartridge Series
Shaft size: 22mm 32mm



GFS Range

To suit Grundfos Sarlin Pump
Shaft sizes for upper and lower
32/38mm; 38/50mm;
50/65mm: 65/65mm



Contact us to check the price and availability

www.luwint.com.au Email: office@luwint.com.au



GMR Range

To suit Gormann Rupp pump
1.250" and 1.500" shaft size
Sleeve and shims style



GRC Range

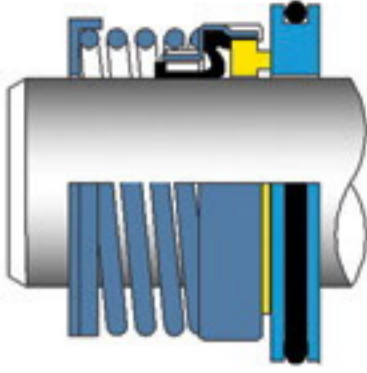
To suit Gormann Rupp pump
1.250" and 1.500" shaft size
Cartridge Style



Contact us to check the price and availability

www.luwint.com.au Email: office@luwint.com.au

RE Range



S01-24mm/32mm/44mm
To suit Regent E range pump



GW Range

GW-40mm/50mm/60mm/75mm
To suit Godwin pump



GW-110mm
To suit Godwin pump

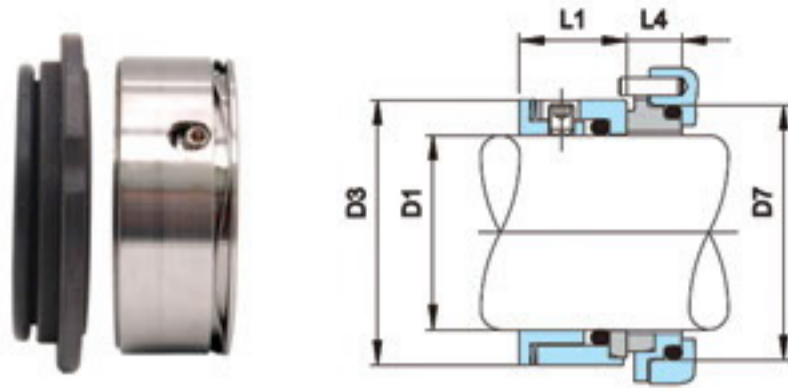


Contact us to check the price and availability

www.luwint.com.au Email: office@luwint.com.au

W83 Range

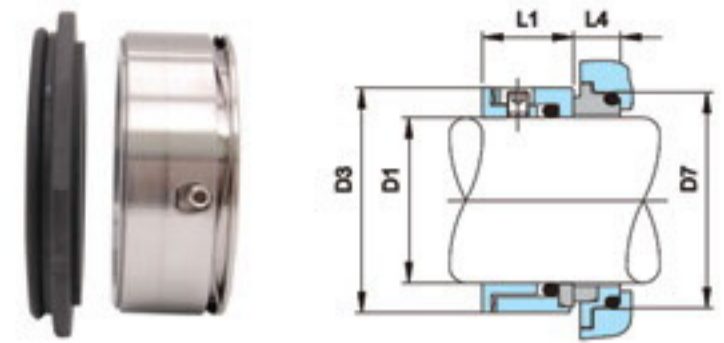
To suit Alfa Laval SSP SR Series



Pump Ref.	D1	D3	D7	L1	L4
SR1	20	31.0	30.0	19.1	10.7
SR2	30	41.0	41.3	19.1	10.9
SR3	35	45.5	47.0	19.1	12.2
SR4	45	58.2	58.3	21.1	11.6
SR5	55	72.0	69.6	22.1	13.0
SR6	75	96.0	92.2	25.8	14.5

W84 Range

To suit Johnson Classic IC pumps



Pump Ref.	D1	D3	D7	L1	L4
Size 10	30	41.0	40.0	19.1	9.3
Size 20	35	45.5	44.5	19.1	9.2
Size 30	50	61.9	62.0	21.1	10.4
Size 40	70	88.9	85.0	25.8	14.1
Size 50	80	101.0	95.0	25.8	16.2

S01 Range



Contact us to check the price and availability

www.luwint.com.au Email: office@luwint.com.au

S02 Range



S02A-20mm/25mm
To suit APV pasilac
ZMA ZMB ZMD ZMH ZMK



S02B-25mm/35mm
To Suit APV WS Single



S02C-1.000" /1.500"
To suit APV Puma Pump



S02D-25mm/35mm
To Suit APV W+



S02E-25mm/35mm
To Suit APV WS Double



S02F-35mm/50mm/75mm
To Suit EMU pump



S02G48mm
To suit APV ZMS-5



S02H-1.125" /1.500" /2.000"
To suit Hidrostall pump



S02I-0.625" /1.000" /1.500"
To suit Inoxpa Prolac pump

Contact us to check the price and availability

www.luwint.com.au Email: office@luwint.com.au

TH Range

To suit Tuthill-2.750"



Customized Seal



Contact us to check the price and availability

www.luwint.com.au Email: office@luwint.com.au

Luwint Pty Ltd



02 9191 7184



0433 986 633 Wayne Liao

0430 066 227 Jessie Han



wayne@luwint.com.au

jessie@luwint.com.au



www.luwint.com.au



149 Dunmore street, wentworthville

NSW Australia 2145



LUWINTSEAL



LuwintSEAL

Mechanical Seals

Cartridge Seals

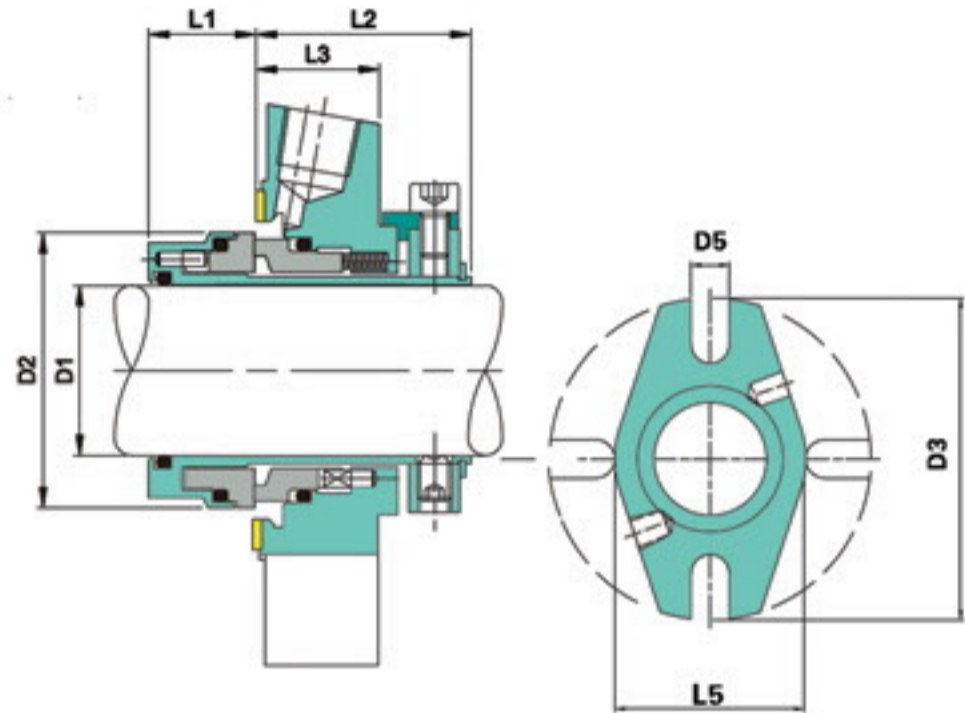


Luwint Pty Ltd

Sources of mechanical seals

www.luwint.com.au

MX1 Range



Working Conditions

Mediums: Chemical, Food, Oil, Petroleum, Paper and Pulp, Sewage treatment

Pressure: <2.8MPa; Speed: <35m/s; Temperature: Elastomer Dependent

Material: Carbon, SiC, SSiC, TC; Elastomer: NBR/Viton/EPDM/Aflas/Kalrez

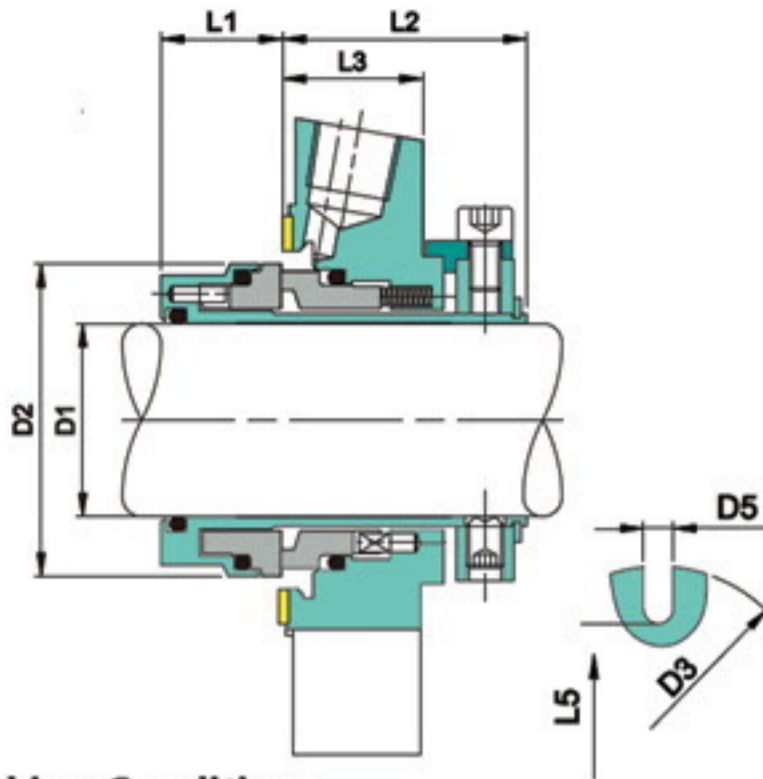
Metal Part and Spring: Stainless Steel/Hast-C

D1(mm)	D2	D3	D5	L1	L2	L3	L5
24	43.5	104	12.5	19	38	25	62
25	43.5	104	12.5	19	38	25	62
28	46.5	104	12.5	19	38	25	62
30	48.5	104	12.5	19	38	25	67
32	50.5	104	12.5	19	38	25	67
33	50.5	104	12.5	19	38	25	67
35	53.5	110	12.5	19	38	25	70
38	56.5	125	14.7	19	38	25	75
40	58.5	125	14.7	19	38	25	75
42	60.5	133	14.7	19	38	25	80
43	61.5	133	14.7	19	38	25	80
45	63.5	140	14.7	19	38	25	82
48	66.5	140	14.7	19	38	25	82
50	68.5	140	14.7	19	38	25	87
53	71.5	150	17.5	19	38	25	92
55	73.5	150	17.5	19	38	25	92
60	78.5	160	17.5	19	38	25	100
65	83.5	165	17.5	19	38	25	105
70	88.5	180	17.5	19	38	25	120
75	100.0	190	17.5	20.5	41.5	30	125
80	105.0	190	17.5	20.5	41.5	30	130
85	110.0	220	21.5	20.5	41.5	30	135
90	115.0	220	21.5	20.5	41.5	30	140
95	120.0	220	21.5	20.5	41.5	30	145
100	125.0	220	21.5	20.5	41.5	30	150

D1(mm)	D2	D3	D5	L1	L2	L3	L5
1.000	1.713	4.094	0.492	0.748	1.496	0.984	2.441
1.125	1.831	4.094	0.492	0.748	1.496	0.984	2.441
1.250	1.988	4.094	0.492	0.748	1.496	0.984	2.638
1.375	2.107	4.331	0.492	0.748	1.496	0.984	2.756
1.500	2.225	4.921	0.579	0.748	1.496	0.984	2.953
1.625	2.382	5.236	0.579	0.748	1.496	0.984	3.150
1.750	2.500	5.512	0.579	0.748	1.496	0.984	3.228
1.875	2.618	5.512	0.579	0.748	1.496	0.984	3.228
2.000	2.697	5.906	0.579	0.748	1.496	0.984	3.425
2.125	2.815	6.102	0.689	0.748	1.496	0.984	3.622
2.250	3.012	6.299	0.689	0.748	1.496	0.984	3.937
2.375	3.091	6.469	0.689	0.748	1.496	0.984	3.937
2.500	3.209	6.693	0.689	0.748	1.496	0.984	4.055
2.625	3.406	7.067	0.689	0.748	1.496	0.984	4.724
2.750	3.484	7.480	0.689	0.748	1.496	0.984	4.724
2.875	3.858	7.480	0.689	0.807	1.634	1.181	4.843
3.000	3.937	7.480	0.689	0.807	1.634	1.181	4.921
3.125	4.134	8.661	0.689	0.807	1.634	1.181	5.118
3.250	4.252	8.661	0.846	0.807	1.634	1.181	5.236
3.375	4.331	8.661	0.846	0.807	1.634	1.181	5.315
3.500	4.528	8.661	0.846	0.807	1.634	1.181	5.512
3.625	4.606	8.661	0.846	0.807	1.634	1.181	5.591
3.750	4.725	8.661	0.846	0.807	1.634	1.181	5.709
3.875	4.921	8.661	0.846	0.807	1.634	1.181	5.906
4.000	4.921	8.661	0.846	0.807	1.634	1.181	5.906

Contact us to check the price and availability

www.luwint.com.au Email: office@luwint.com.au



Working Conditions

Mediums: Chemical, Food, Oil, Petroleum, Paper and Pulp, Sewage treatment

Pressure: <2.8MPa; Speed: <35m/s; Temperature: Elastomer Dependent

Material: Carbon, SIC, SSIC, TC; Elastomer: NBR/Viton/EPDM/Aflas/Kalrez

Metal Part and Spring: Stainless Steel/Hast-C

D1(mm)	D2	D3	D5	L1	L2	L3	L5
24	43.5	104	12.5	19	38	25	62
25	43.5	104	12.5	19	38	25	62
28	46.5	104	12.5	19	38	25	62
30	48.5	104	12.5	19	38	25	67
32	50.5	104	12.5	19	38	25	67
33	50.5	104	12.5	19	38	25	67
35	53.5	110	12.5	19	38	25	70
38	56.5	125	14.7	19	38	25	75
40	58.5	125	14.7	19	38	25	75
42	60.5	133	14.7	19	38	25	80
43	61.5	133	14.7	19	38	25	80
45	63.5	140	14.7	19	38	25	82
48	66.5	140	14.7	19	38	25	82
50	68.5	140	14.7	19	38	25	87
53	71.5	150	17.5	19	38	25	92
55	73.5	150	17.5	19	38	25	92
60	78.5	160	17.5	19	38	25	100
65	83.5	165	17.5	19	38	25	105
70	88.5	180	17.5	19	38	25	120
75	100.0	190	17.5	20.5	41.5	30	125
80	105.0	190	17.5	20.5	41.5	30	130
85	110.0	220	21.5	20.5	41.5	30	135
90	115.0	220	21.5	20.5	41.5	30	140
95	120.0	220	21.5	20.5	41.5	30	145
100	125.0	220	21.5	20.5	41.5	30	150

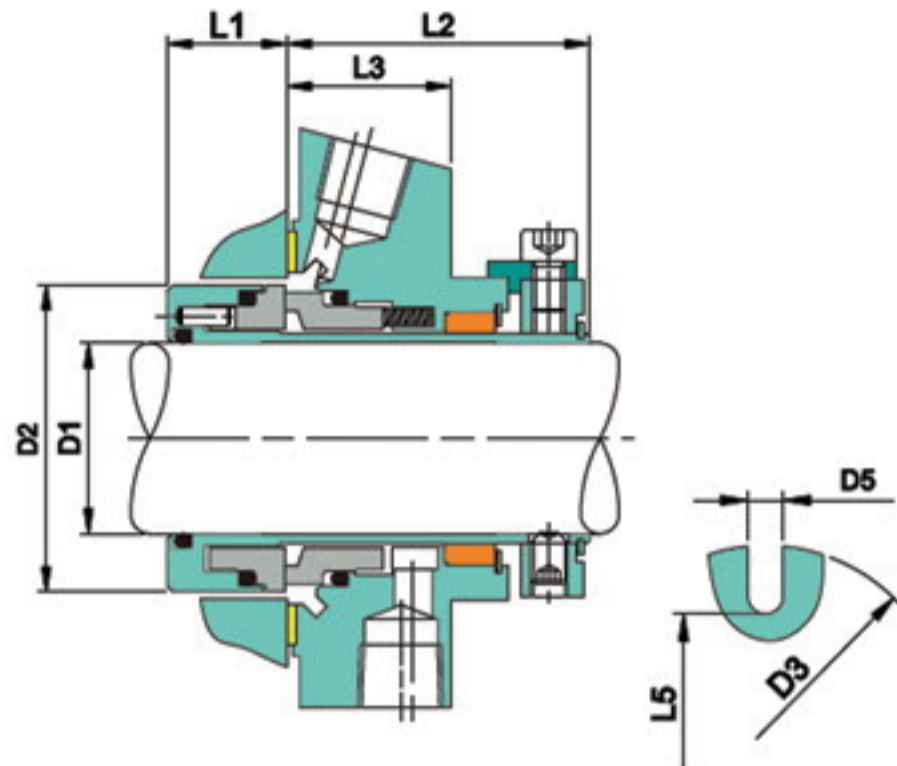
D1(mm)	D2	D3	D5	L1	L2	L3	L5
1.000	1.713	4.094	0.492	0.748	1.496	0.984	2.441
1.125	1.831	4.094	0.492	0.748	1.496	0.984	2.441
1.250	1.988	4.094	0.492	0.748	1.496	0.984	2.638
1.375	2.107	4.331	0.492	0.748	1.496	0.984	2.756
1.500	2.225	4.921	0.579	0.748	1.496	0.984	2.953
1.625	2.382	5.236	0.579	0.748	1.496	0.984	3.150
1.750	2.500	5.512	0.579	0.748	1.496	0.984	3.228
1.875	2.618	5.512	0.579	0.748	1.496	0.984	3.228
2.000	2.697	5.906	0.579	0.748	1.496	0.984	3.425
2.125	2.815	6.102	0.689	0.748	1.496	0.984	3.622
2.250	3.012	6.299	0.689	0.748	1.496	0.984	3.937
2.375	3.091	6.469	0.689	0.748	1.496	0.984	3.937
2.500	3.209	6.693	0.689	0.748	1.496	0.984	4.055
2.625	3.406	7.067	0.689	0.748	1.496	0.984	4.724
2.750	3.484	7.480	0.689	0.748	1.496	0.984	4.724
2.875	3.858	7.480	0.689	0.807	1.634	1.181	4.843
3.000	3.937	7.480	0.689	0.807	1.634	1.181	4.921
3.125	4.134	8.661	0.689	0.807	1.634	1.181	5.118
3.250	4.252	8.661	0.846	0.807	1.634	1.181	5.236
3.375	4.331	8.661	0.846	0.807	1.634	1.181	5.315
3.500	4.528	8.661	0.846	0.807	1.634	1.181	5.512
3.625	4.606	8.661	0.846	0.807	1.634	1.181	5.591
3.750	4.725	8.661	0.846	0.807	1.634	1.181	5.709
3.875	4.921	8.661	0.846	0.807	1.634	1.181	5.906
4.000	4.921	8.661	0.846	0.807	1.634	1.181	5.906



Contact us to check the price and availability

www.luwint.com.au Email: office@luwint.com.au

MX2Q Range



Working Conditions

Mediums: Chemical, Food, Oil, Petroleum, Paper and Pulp, Sewage treatment

Pressure: <2.8MPa; Speed: <35m/s; Temperature: Elastomer Dependent

Material: Carbon, SIC, SSIC, TC; Elastomer: NBR/Viton/EPDM/Aflas/Kalrez

Metal Part and Spring: Stainless Steel/Hast-C

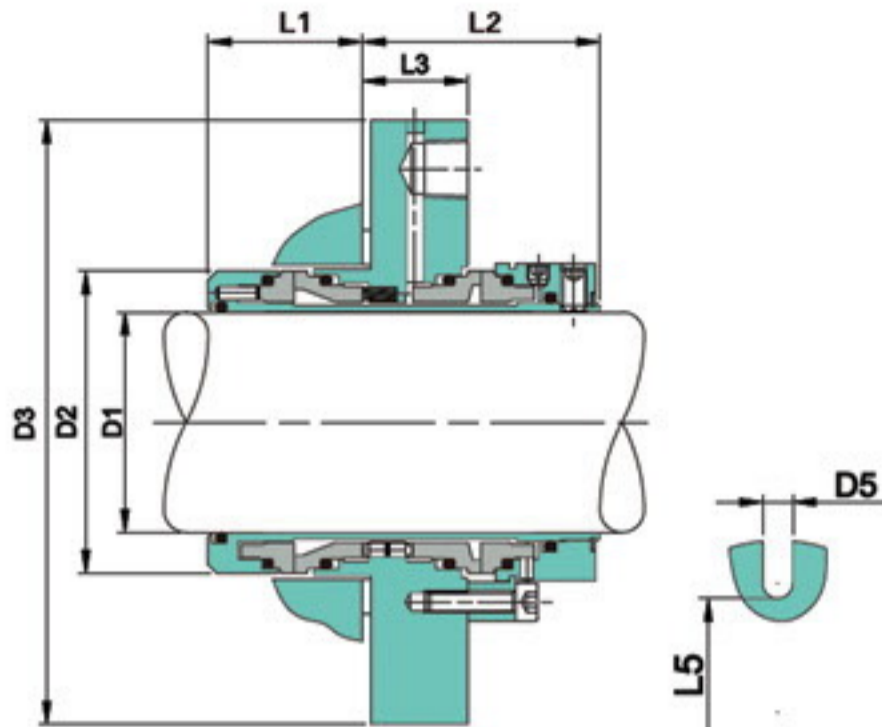
D1(mm)	D2	D3	D5	L1	L2	L3	L5
24	43.5	104	12.5	19	48	25	62
25	43.5	104	12.5	19	48	25	62
28	46.5	104	12.5	19	48	25	62
30	48.5	104	12.5	19	48	25	67
32	50.5	104	12.5	19	48	25	67
33	50.5	104	12.5	19	48	25	67
35	53.5	110	12.5	19	48	25	70
38	56.5	125	14.7	19	48	25	75
40	58.5	125	14.7	19	48	25	75
42	60.5	133	14.7	19	48	25	80
43	61.5	133	14.7	19	48	25	80
45	63.5	140	14.7	19	48	25	82
48	66.5	140	14.7	19	48	25	82
50	68.5	140	14.7	19	48	25	87
53	71.5	150	17.5	19	48	25	92
55	73.5	150	17.5	19	48	25	92
60	78.5	160	17.5	19	48	25	100
65	83.5	165	17.5	19	48	25	105
70	88.5	180	17.5	19	48	25	120
75	100.0	190	17.5	20.5	51.5	30	125
80	105.0	190	17.5	20.5	51.5	30	130
85	110.0	220	21.5	20.5	51.5	30	135
90	115.0	220	21.5	20.5	51.5	30	140
95	120.0	220	21.5	20.5	51.5	30	145
100	125.0	220	21.5	20.5	51.5	30	150

D1(mm)	D2	D3	D5	L1	L2	L3	L5
1.000	1.713	4.094	0.492	0.748	1.890	0.984	2.441
1.125	1.831	4.094	0.492	0.748	1.890	0.984	2.441
1.250	1.988	4.094	0.492	0.748	1.890	0.984	2.638
1.375	2.107	4.331	0.492	0.748	1.890	0.984	2.756
1.500	2.225	4.921	0.579	0.748	1.890	0.984	2.953
1.625	2.382	5.236	0.579	0.748	1.890	0.984	3.150
1.750	2.500	5.512	0.579	0.748	1.890	0.984	3.228
1.875	2.618	5.512	0.579	0.748	1.890	0.984	3.228
2.000	2.697	5.906	0.579	0.748	1.890	0.984	3.425
2.125	2.815	6.102	0.689	0.748	1.890	0.984	3.622
2.250	3.012	6.299	0.689	0.748	1.890	0.984	3.937
2.375	3.091	6.469	0.689	0.748	1.890	0.984	3.937
2.500	3.209	6.693	0.689	0.748	1.890	0.984	4.055
2.625	3.406	7.067	0.689	0.748	1.890	0.984	4.724
2.750	3.484	7.480	0.689	0.748	1.890	0.984	4.724
2.875	3.858	7.480	0.689	0.807	2.027	1.181	4.843
3.000	3.937	7.480	0.689	0.807	2.027	1.181	4.921
3.125	4.134	8.661	0.689	0.807	2.027	1.181	5.118
3.250	4.252	8.661	0.846	0.807	2.027	1.181	5.236
3.375	4.331	8.661	0.846	0.807	2.027	1.181	5.315
3.500	4.528	8.661	0.846	0.807	2.027	1.181	5.512
3.625	4.606	8.661	0.846	0.807	2.027	1.181	5.591
3.750	4.725	8.661	0.846	0.807	2.027	1.181	5.709
3.875	4.921	8.661	0.846	0.807	2.027	1.181	5.906
4.000	4.921	8.661	0.846	0.807	2.027	1.181	5.906

Contact us to check the price and availability

www.luwint.com.au Email: office@luwint.com.au





Working Conditions

Mediums: Chemical, Food, Oil, Petroleum, Paper and Pulp, Sewage treatment
 Pressure: <2.8MPa; Speed: <35m/s; Temperature: Elastomer Dependent
 Material: Carbon, SiC, SSiC, TC; Elastomer: NBR/Viton/EPDM/Aflas/Kalrez
 Metal Part and Spring: Stainless Steel/Hast-C

D1(mm)	D2	D3	D5	L1	L2	L3	L5
1.000	1.752	4.094	0.492	1.378	2.126	0.984	2.441
1.125	1.870	4.094	0.492	1.378	2.126	0.984	2.441
1.250	2.027	4.094	0.492	1.378	2.126	0.984	2.638
1.375	2.146	4.331	0.492	1.378	2.126	0.984	2.756
1.500	2.264	4.921	0.579	1.378	2.126	0.984	2.953
1.625	2.421	5.236	0.579	1.378	2.126	0.984	3.150
1.750	2.539	5.512	0.579	1.378	2.126	0.984	3.228
1.875	2.657	5.512	0.579	1.378	2.126	0.984	3.228
2.000	2.736	5.906	0.579	1.378	2.126	0.984	3.425
2.125	2.854	6.102	0.689	1.378	2.126	0.984	3.622
2.250	3.051	6.299	0.689	1.378	2.126	0.984	3.937
2.375	3.130	6.469	0.689	1.378	2.126	0.984	3.937
2.500	3.248	6.693	0.689	1.378	2.126	0.984	4.055
2.625	3.445	7.067	0.689	1.378	2.126	0.984	4.724
2.750	3.523	7.480	0.689	1.378	2.126	0.984	4.724
2.875	3.937	7.480	0.689	1.535	2.283	1.181	4.843
3.000	4.016	7.480	0.689	1.535	2.283	1.181	4.921
3.125	4.213	8.661	0.689	1.535	2.283	1.181	5.118
3.250	4.331	8.661	0.846	1.535	2.283	1.181	5.236
3.375	4.410	8.661	0.846	1.535	2.283	1.181	5.315
3.500	4.607	8.661	0.846	1.535	2.283	1.181	5.512
3.625	4.685	8.661	0.846	1.535	2.283	1.181	5.591
3.750	4.804	8.661	0.846	1.535	2.283	1.181	5.709
3.875	5.000	8.661	0.846	1.535	2.283	1.181	5.906
4.000	5.000	8.661	0.846	1.535	2.283	1.181	5.906

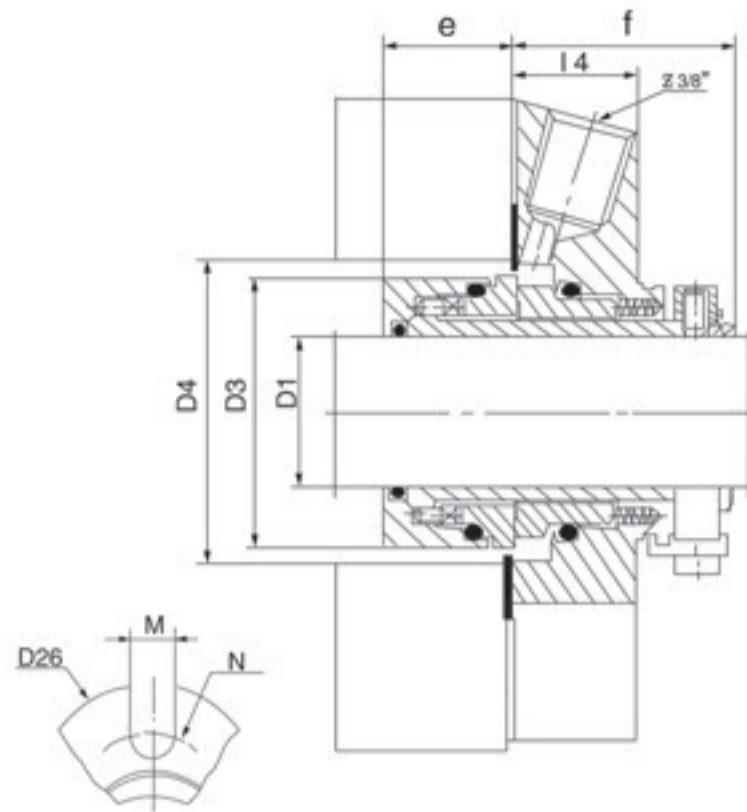
D1(mm)	D2	D3	D5	L1	L2	L3	L5
24	44.5	104	12.5	35	54	24	62
25	44.5	104	12.5	35	54	24	62
28	47.5	104	12.5	35	54	24	62
30	49.5	104	12.5	35	54	24	67
32	51.5	104	12.5	35	54	24	67
33	51.5	104	12.5	35	54	24	67
35	54.5	110	12.5	35	54	24	70
38	57.5	125	14.7	35	54	24	75
40	59.5	125	14.7	35	54	24	75
42	61.5	133	14.7	35	54	24	80
43	62.5	133	14.7	35	54	24	80
45	64.5	140	14.7	35	54	24	82
48	67.5	140	14.7	35	54	24	82
50	69.5	140	14.7	35	54	24	87
53	72.5	150	17.5	35	54	24	92
55	74.5	150	17.5	35	54	24	92
60	79.5	160	17.5	35	54	24	100
65	84.5	165	17.5	35	54	24	105
70	89.5	180	17.5	35	54	24	120
75	102.0	190	17.5	39	58	26	125
80	107.0	190	17.5	39	58	26	130
85	112.0	220	21.5	39	58	26	135
90	117.0	220	21.5	39	58	26	140
95	122.0	220	21.5	39	58	26	145
100	127.0	220	21.5	39	58	26	150



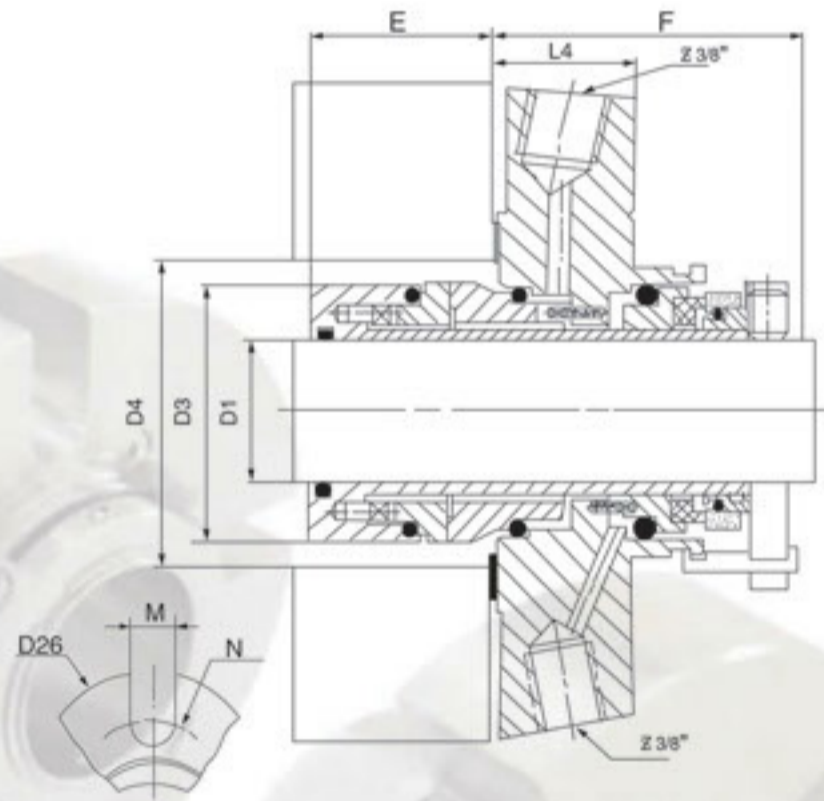
Contact us to check the price and availability

www.luwint.com.au Email: office@luwint.com.au

MC01 Range



MC02 Range



Design Features

- Stationary seal configuration
- Flexible mounting of the seal face and seat
- Solid seal face and seat
- Dual pressure balance
- Large auxiliary connection bores
- Improved assembly fixture
- 3/8" NPT Flush/vent port
- MC01 is single cartridge seal
- MC02 is double cartridge seal

Operating limits

D1=22mm~120mm/1" ~4.75"
 T= -40°C ~220 °C/-40°F ~430°F
 P3= up to 25bar/360psi
 $\Delta p=(p_3-p_1) \dots 25\text{bar}$
 (1.5...2bar, 7bar for buffer media with poor lubrication)
 Axial movement max, $\pm 1.0\text{mm}$, from D1=75mm (3") $\pm 1.5\text{mm}$

Contact us to check the price and availability

www.luwint.com.au Email: office@luwint.com.au

Customized Cartridge Seal

Our engineering team is able to make the drawings and design the customized seal according to sample or stuffing box dimensions and application situation, then estimate the price and control quality.



Contact us to check the price and availability

www.luwint.com.au Email: office@luwint.com.au

Luwint Pty Ltd



02 9191 7184



0433 986 633 Wayne Liao

0430 066 227 Jessie Han



wayne@luwint.com.au

jessie@luwint.com.au



www.luwint.com.au



149 Dunmore street, wentworthville
NSW Australia 2145



LUWINTSEAL